

Barudan

HIGH SPEED AUTOMATIC EMBROIDERY MACHINE

**ELITE PRO
BEDT-ZQ-501**

PARTS LIST

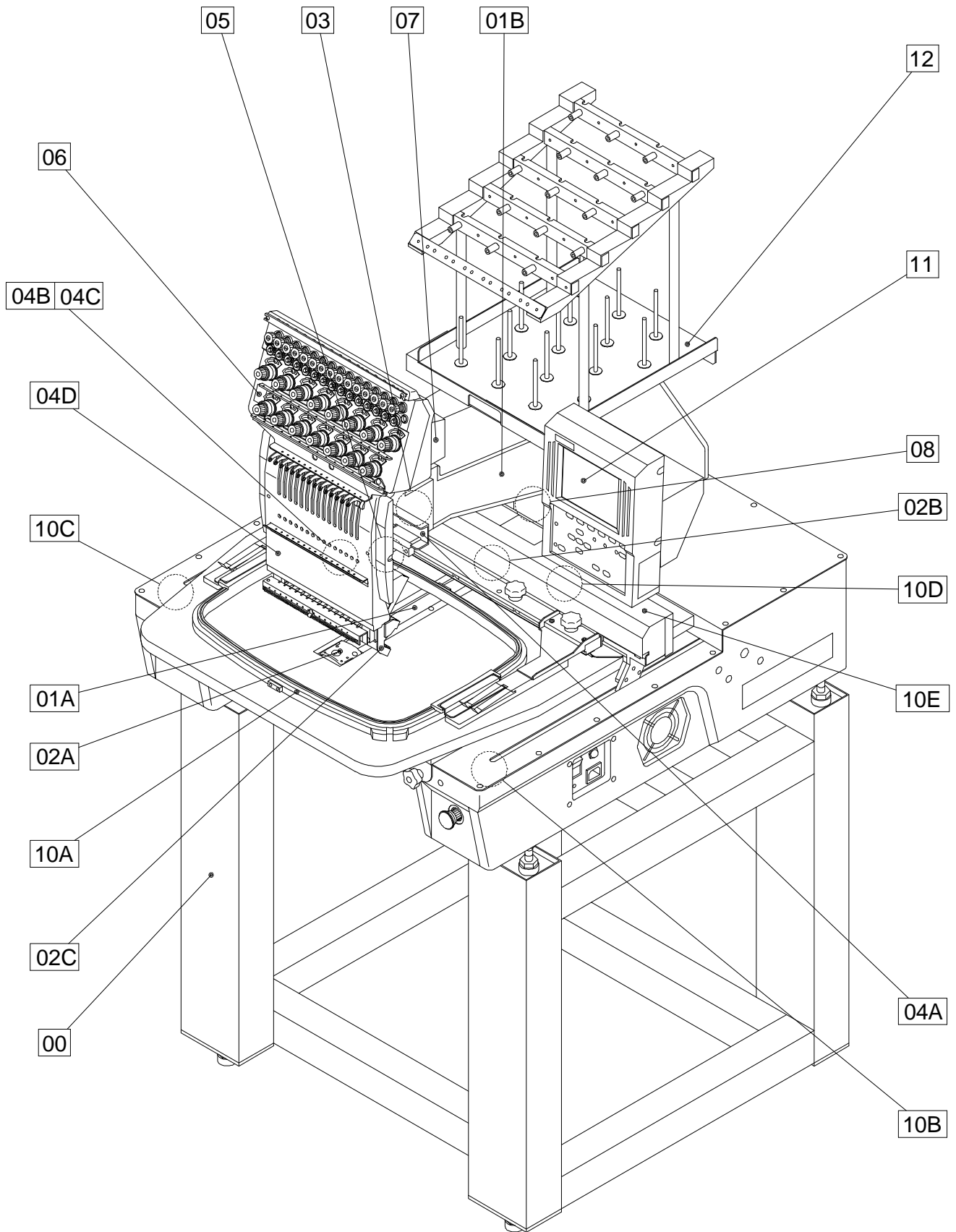
ELITE PRO BEDT-ZQ-501

HIGH SPEED AUTOMATIC EMBROIDERY MACHINE

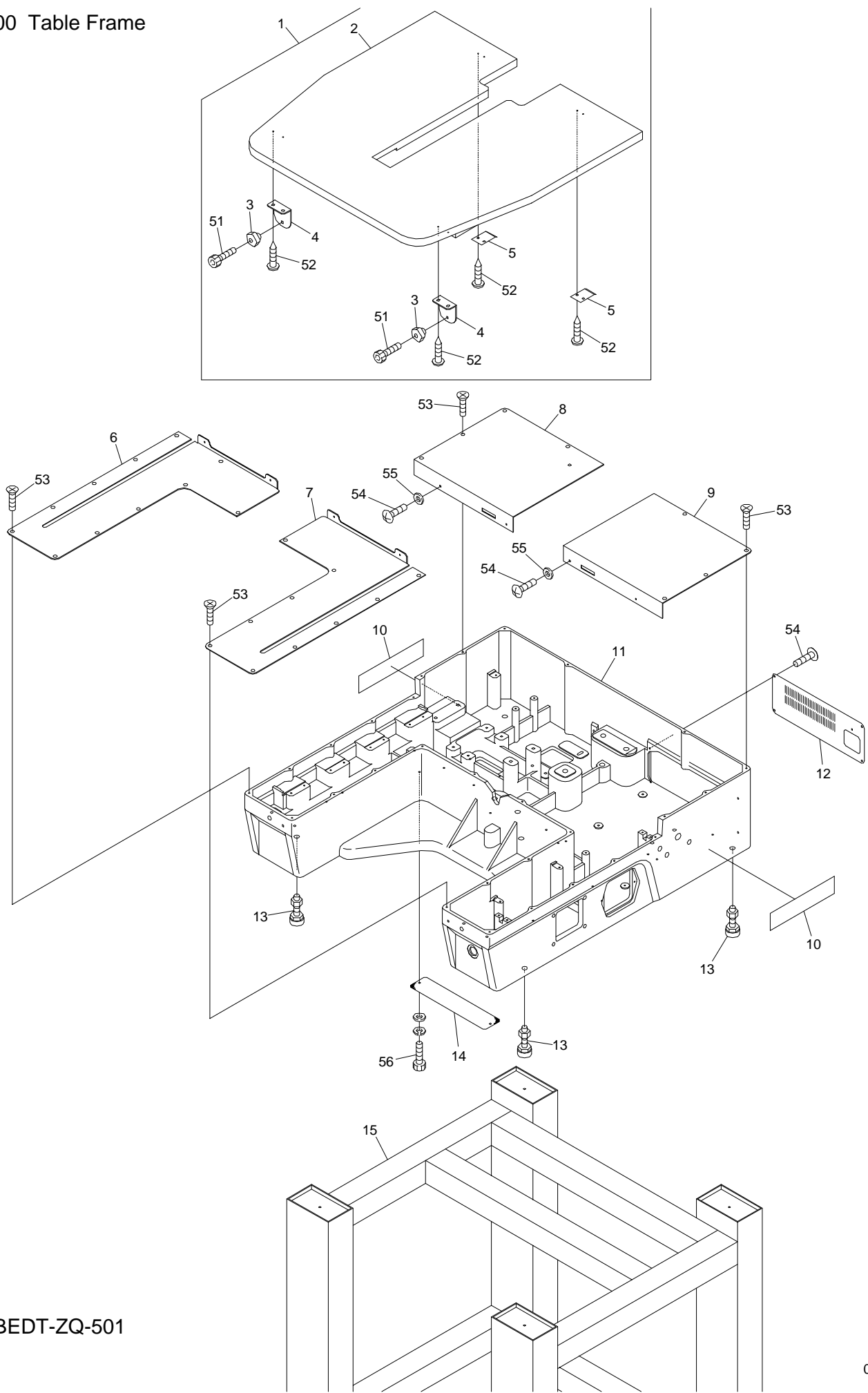
CONTENTS

00 Table-Frame	05 Jump
01A Head-Bed A	06 Thread guide
01B Head-Bed B	07 Color change
02A Thread cut A	08 Drive
02B Thread cut B	10A Pantograph drive A (QS)
02C Thread cut C	10B Pantograph drive B (QS)
03 Take up lever	10C Pantograph drive C
04A Needle bar A	10D Pantograph drive D
04B Needle bar B	10E Pantograph drive E
04C Needle bar C	11 Control
04D Needle bar D	12 Accessories

Machine layout (BEDT-ZQ-501)

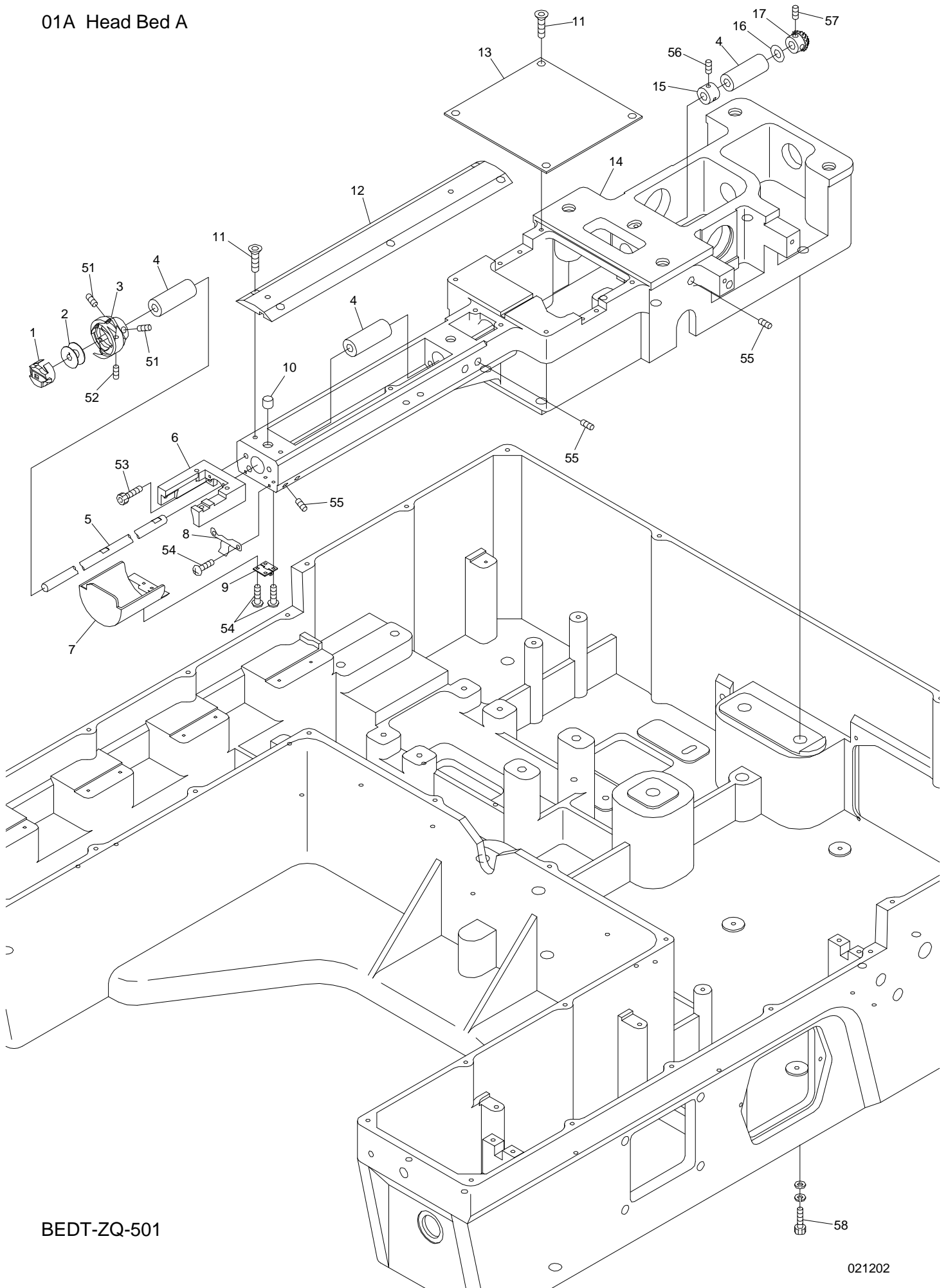


00 Table Frame



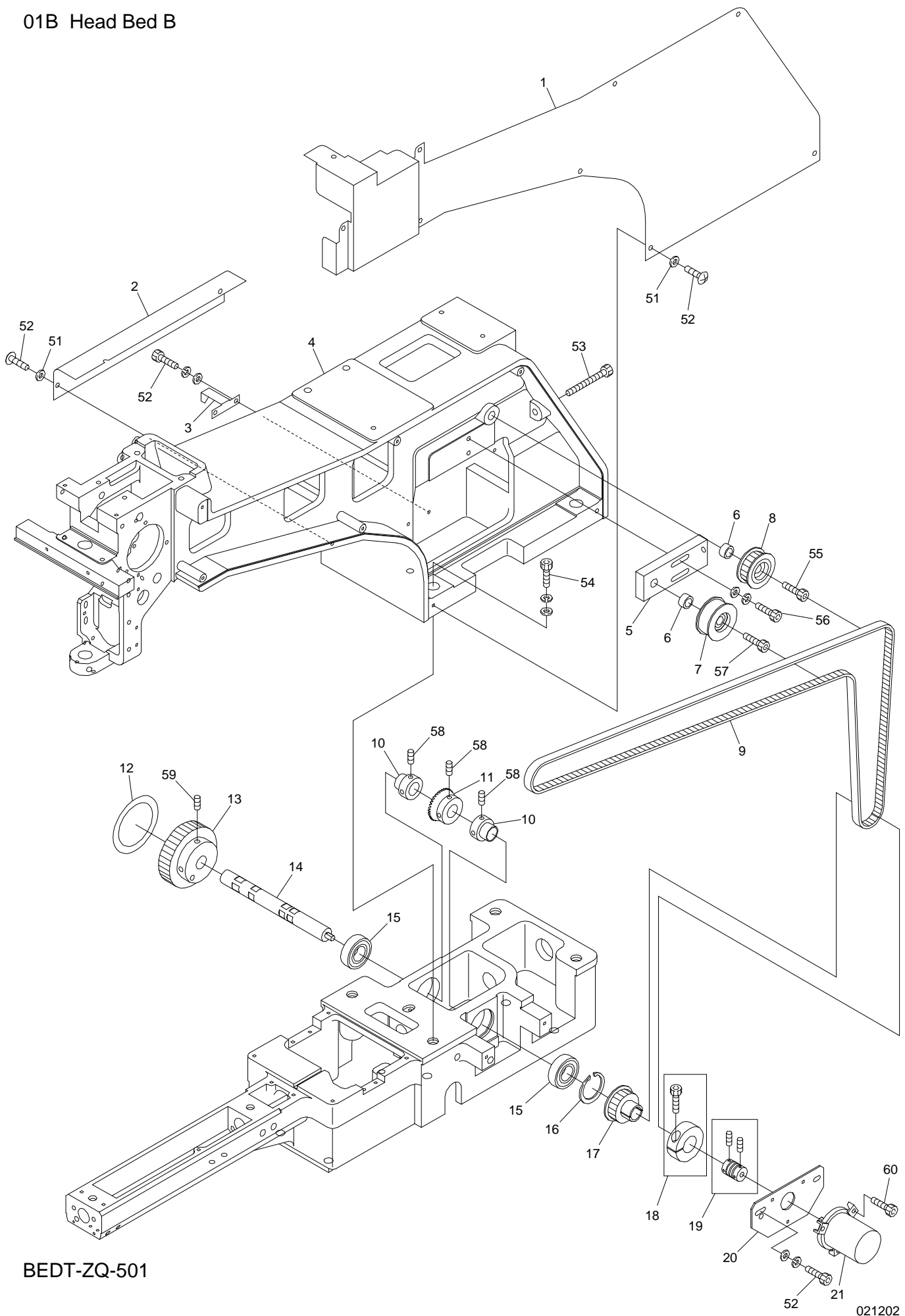
BEDT-ZQ-501

01A Head Bed A



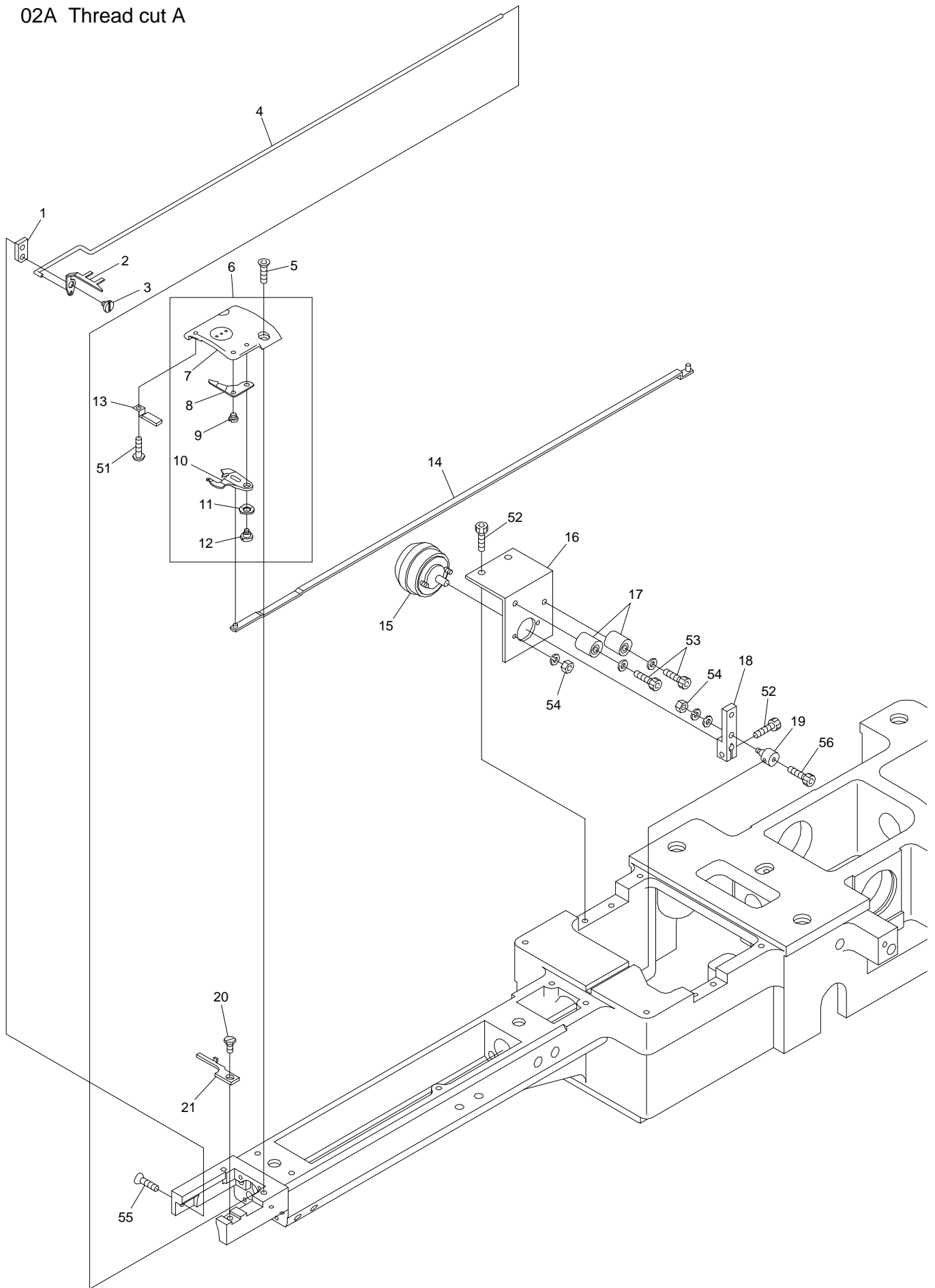
BEDT-ZQ-501

01B Head Bed B



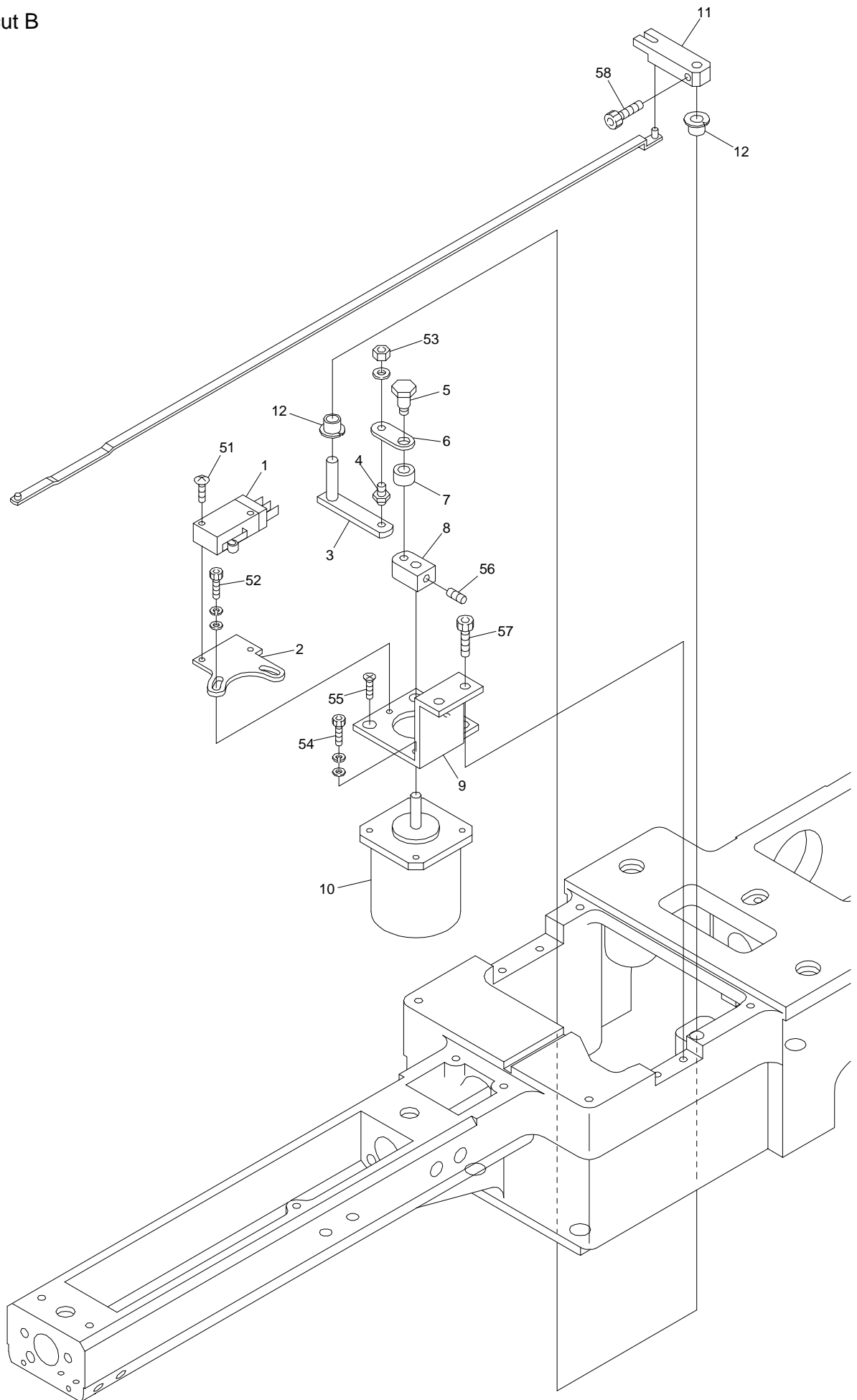
BEDT-ZQ-501

02A Thread cut A



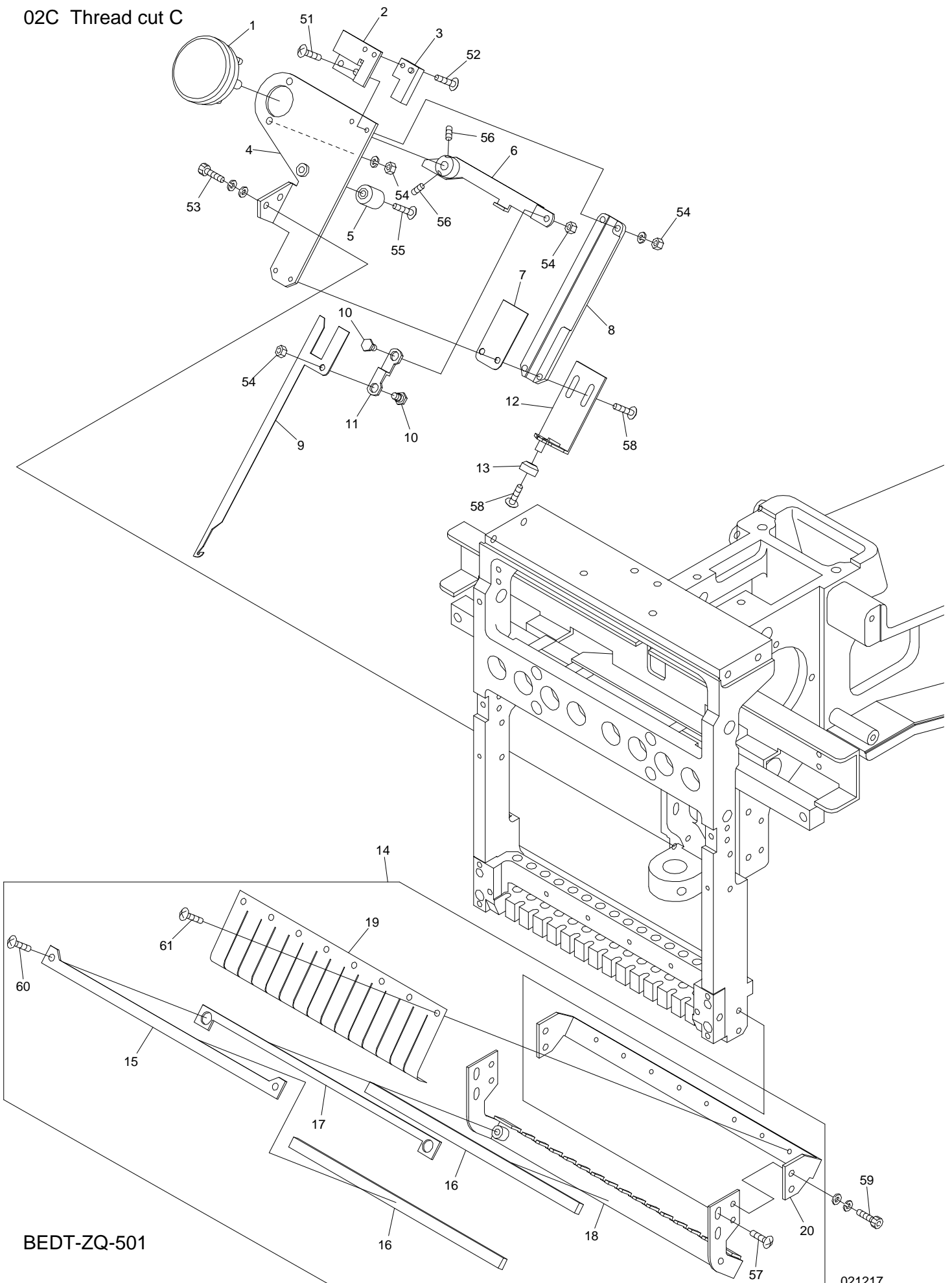
BEDT-ZQ-501

02B Thread cut B



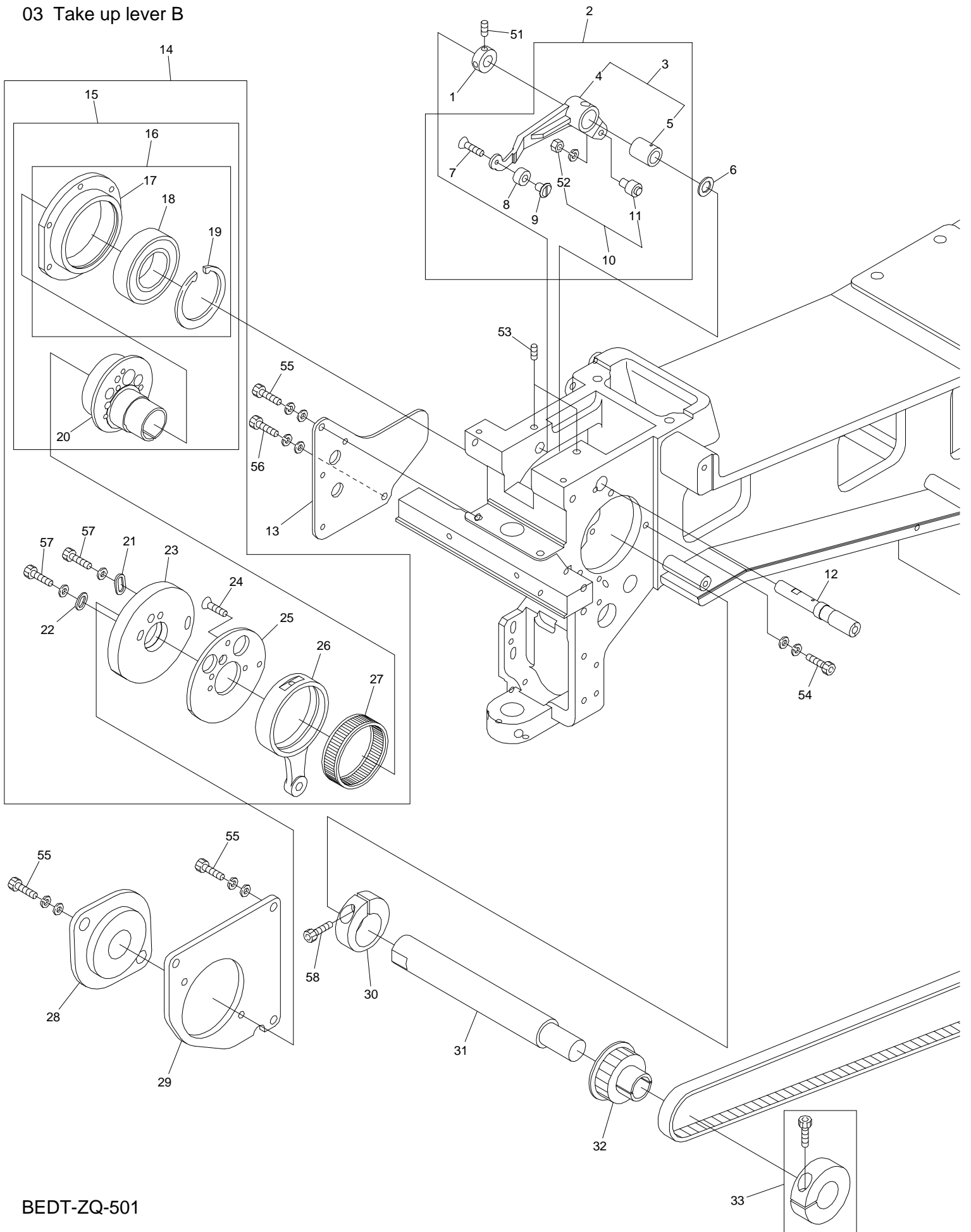
BEDT-ZQ-501

02C Thread cut C



BEDT-ZQ-501

03 Take up lever B



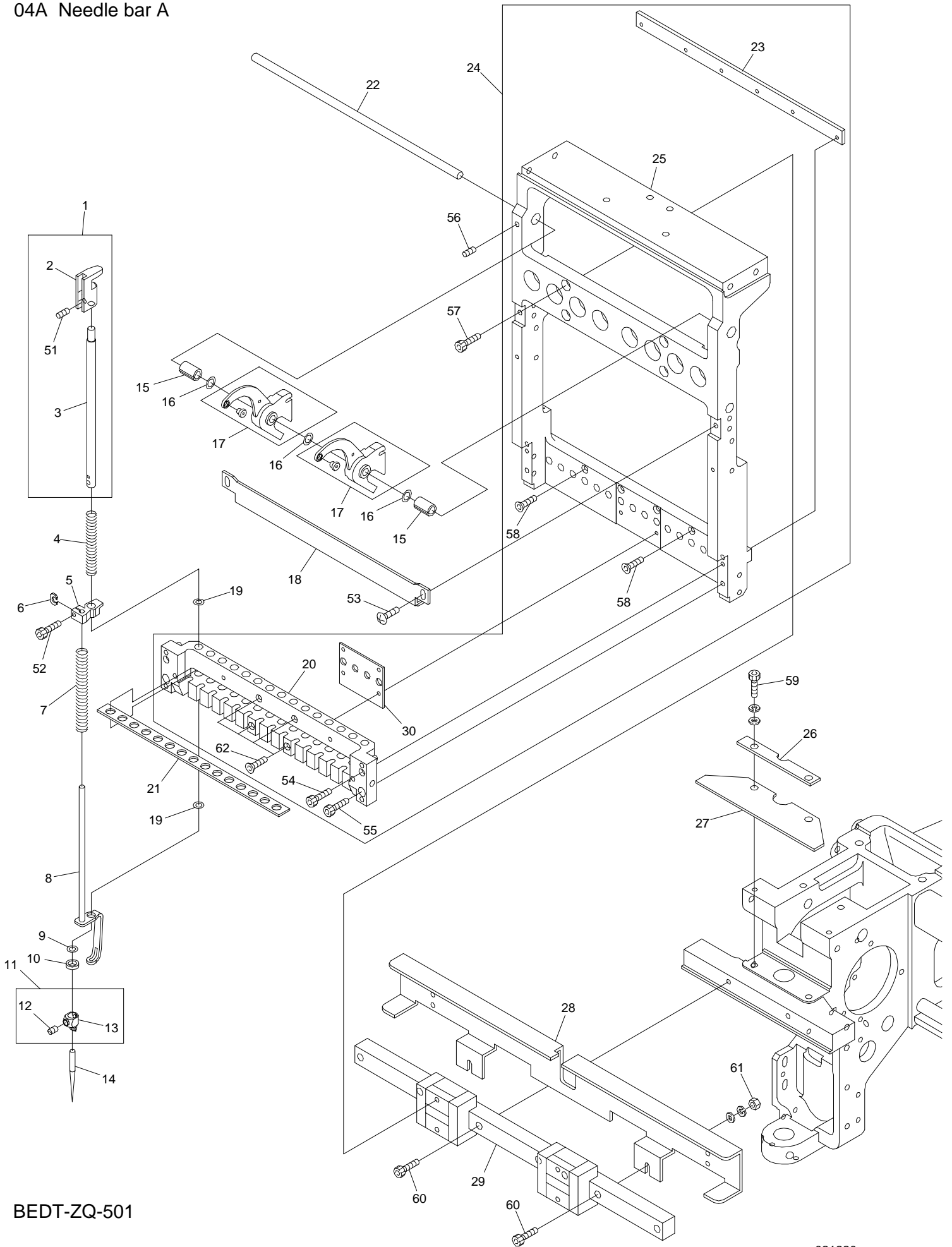
BEDT-ZQ-501

021205

03 Take up lever

ITEM	LIST NO.	DESCRIPTION	Q'TY	NOTE
1	HB230800	Take up lever driving lever fixing pin set collar	1	
2	RV230070	Take up lever driving lever a'ssy	1	
3	RH230801	Take up lever driving lever(Metal)	1	
4	RH230311	Take up lever driving lever	1	
5	RH230810	Take up lever metal	1	
6	RH230610	Thrust washer	1	
7	HB230650	Flush screw(With adhesion)	1	
8	RV230060	Take up lever driving roller	1	
9	RD230130	Take up lever driving roller shaft	1	
10	KF230501	Take up lever roller a'ssy	1	
11	KF230680	Cam followers(KR×4×7.9×15-1P×1)	1	
12	RH230320	Take up lever driving lever fixing pin	1	
13	MK310040	Cap cover fixed plate	1	
14	SG230370	Take up lever needle bar drive a'ssy (H6 cam for strengthening)	1	
15	RN230010	Needle bar driving cam a'ssy	1	
16	RN230030	Bearing case a'ssy	1	
17	RN230040	Bearing case	1	
18	A9010073	Ball bearing(6005ZZ)	1	
19	A9012421	C-ring for hole 47	1	
20	RN230020	Needle bar driving cam (Eccentricity 9.2 20dia.)	1	
21	HB230080	Washer for cam(2)	1	
22	HB230070	Washer for cam(1)	1	
23	SG230240	Take up lever cam H6 (Strengthening type)	1	
24	HB230620	Flush screw	3	
25	RH230300	Take up lever cam base	1	
26	RH230280	Needle bar crank rod	1	
27	RH230271	Needle bearing	1	
28	A9011251	Flange unit(SBPFL 204)	1	
29	MK310050	Bearing plate	1	
30	RH230330	Needle bar driving cam set collar	1	
31	MK220010	Upper shaft	1	
32	MK230000	Needle shaft drive pulley	1	
33	HH481980	19 clamp	1	
51		Hex.socket set screw M4×4(With adhesion)		
52		Hex.nut M4(With spring washer)		
53		Hex.socket set screw M5×5		
54		Hex.socket bolt M4×15(With washers)		
55		Hex.socket bolt M5×15(With washers)		
56		Hex.socket bolt M4×12(With washers)		
57		Hex.socket bolt M4×8		
58		Hex.socket bolt M5×18		

04A Needle bar A

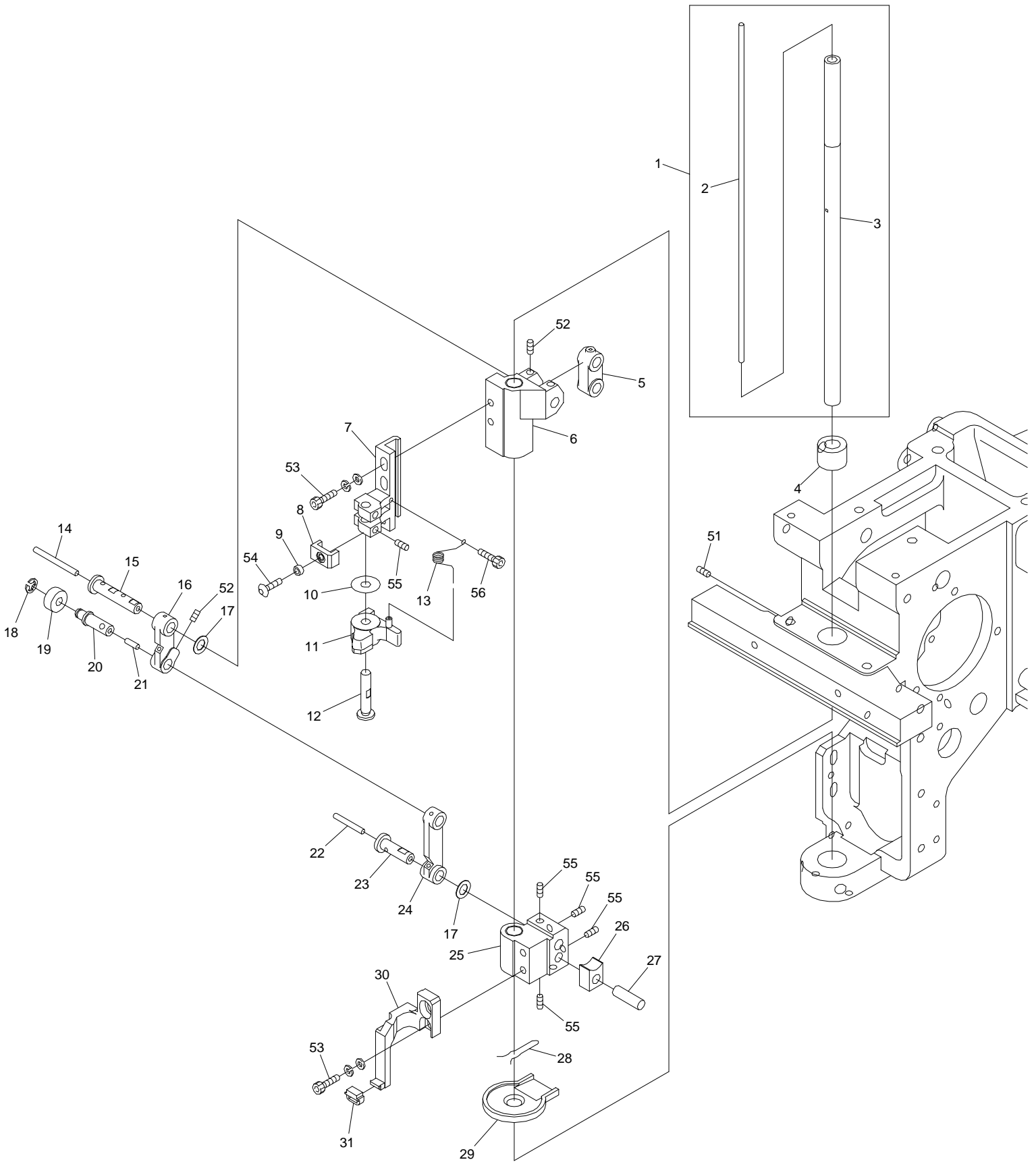


BEDT-ZQ-501

04A Needle bar A

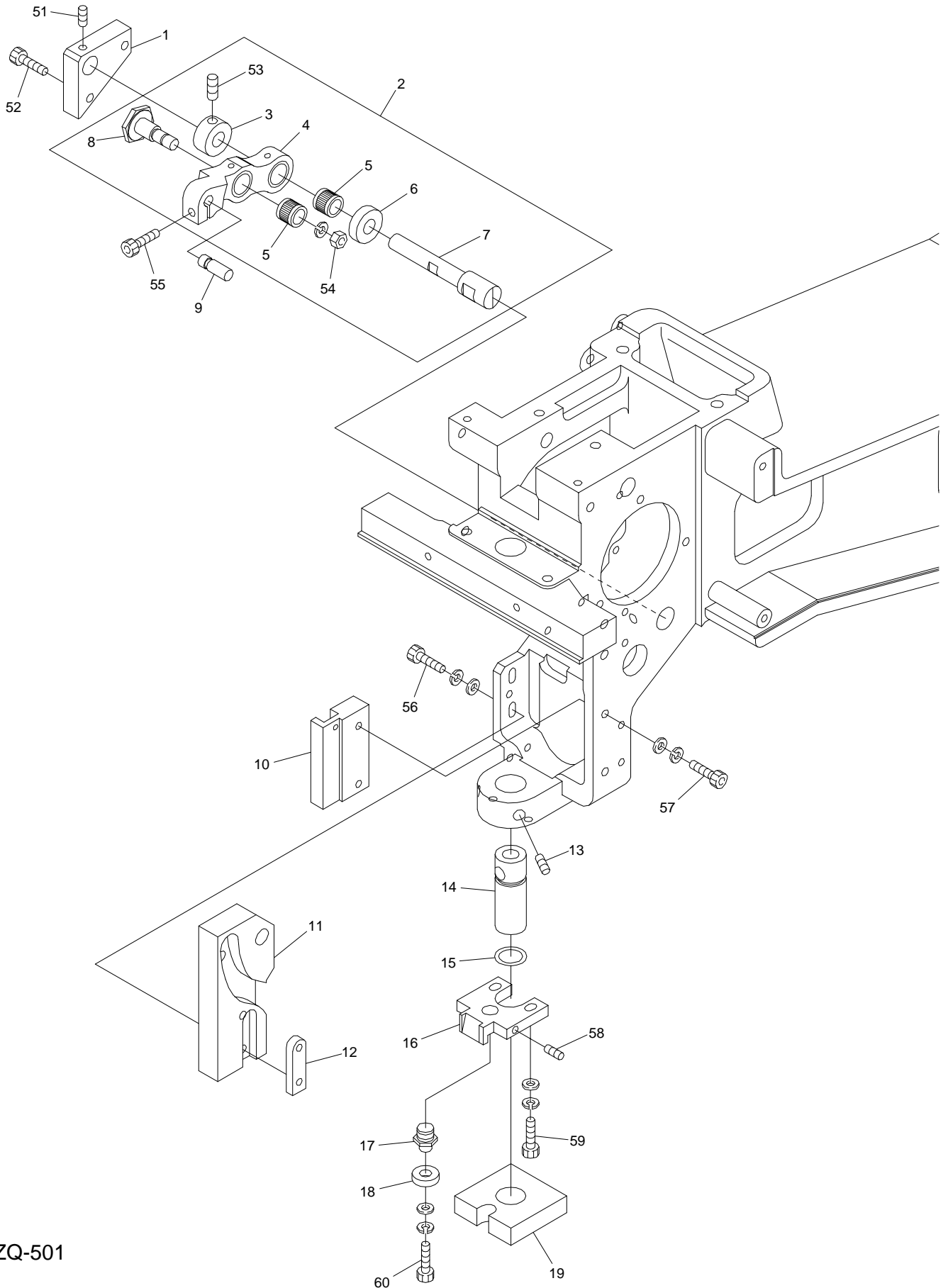
ITEM	LIST NO.	DESCRIPTION	Q'TY	NOTE
1	RD230480	Needle bar a'ssy	15	
2	RD230490	Needle bar guide	15	
3	RH230410	Needle bar	15	
4	HT250251	Needle bar spring(Upper)	15	
5	HT230330	Cloth hold set clamp	15	
6	HT230263	Washer for set clamp	15	
7	SG230220	Needle bar spring lower	15	
8	RD230370	Cloth hold(ZQ4)	15	
9	KF230910	O-ring(AN6227-5)	15	
10	HT230120	Washer 2.4	15	
11	RH230440	Needle clamp(With hook,set screw)	15	
12	RH230460	Needle clamp screw	15	
13	RH230450	Needle clamp(With hook)	15	
14	FN070011SNY	Needle(DBXK5-NY11S)	15	
15	MK230090	Take up lever collar	2	
16	MK230050	Take up lever washer	16	
17	MK230040	Take up lever	15	
18	SL230040	Needle bar stocker	1	
19	A9014167	O-ring SS065	30	
20	SL230031	Needle bar base	1	
21	SL230080	Needle bar felt	1	
22	SL230070	Take up lever shaft(ZQ6)	1	
23	RD230060	Bearing plate	1	
24	SL230001	Slide block set	1	
25	SL230021	Slide block	1	
26	MK230020	Holder plate	1	
27	MK230010	LM rail holder plate	1	
28	SL230050	Take up lever stocker(ZQ6)	1	
29	SL230060	LM (ZQ6)	1	
30	SL230090	Slide block sim	1	
51		Hex.socket double point screw M4x4		
52		Hex.socket bolt M3x8		
53		Hex.socket button bolt M4x8		
54		Hex.socket bolt M3x35		
55		Hex.socket bolt M4x12		
56		Hex.socket set screw M4x8		
57		Hex.socket bolt M4x10		
58		Hex.socket flush bolt M3x14		
59		Hex.socket bolt M5x15(With washers)		
60		Hex.socket bolt M4x15		
61		Hex.nut M4		
62		Hex.socket flush bolt M3x25		

04B Needle bar B



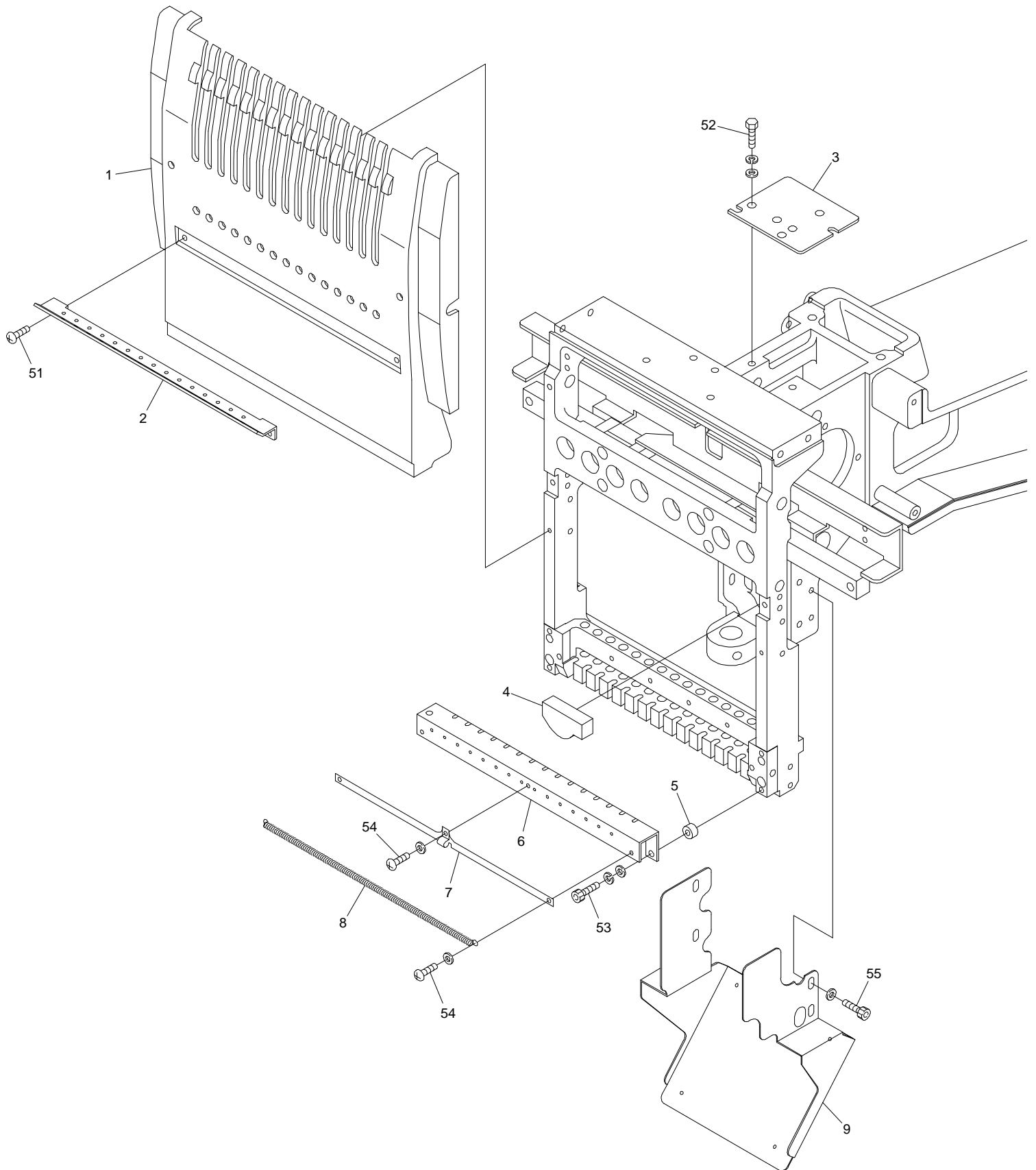
BEDT-ZQ-501

04C Needle bar C



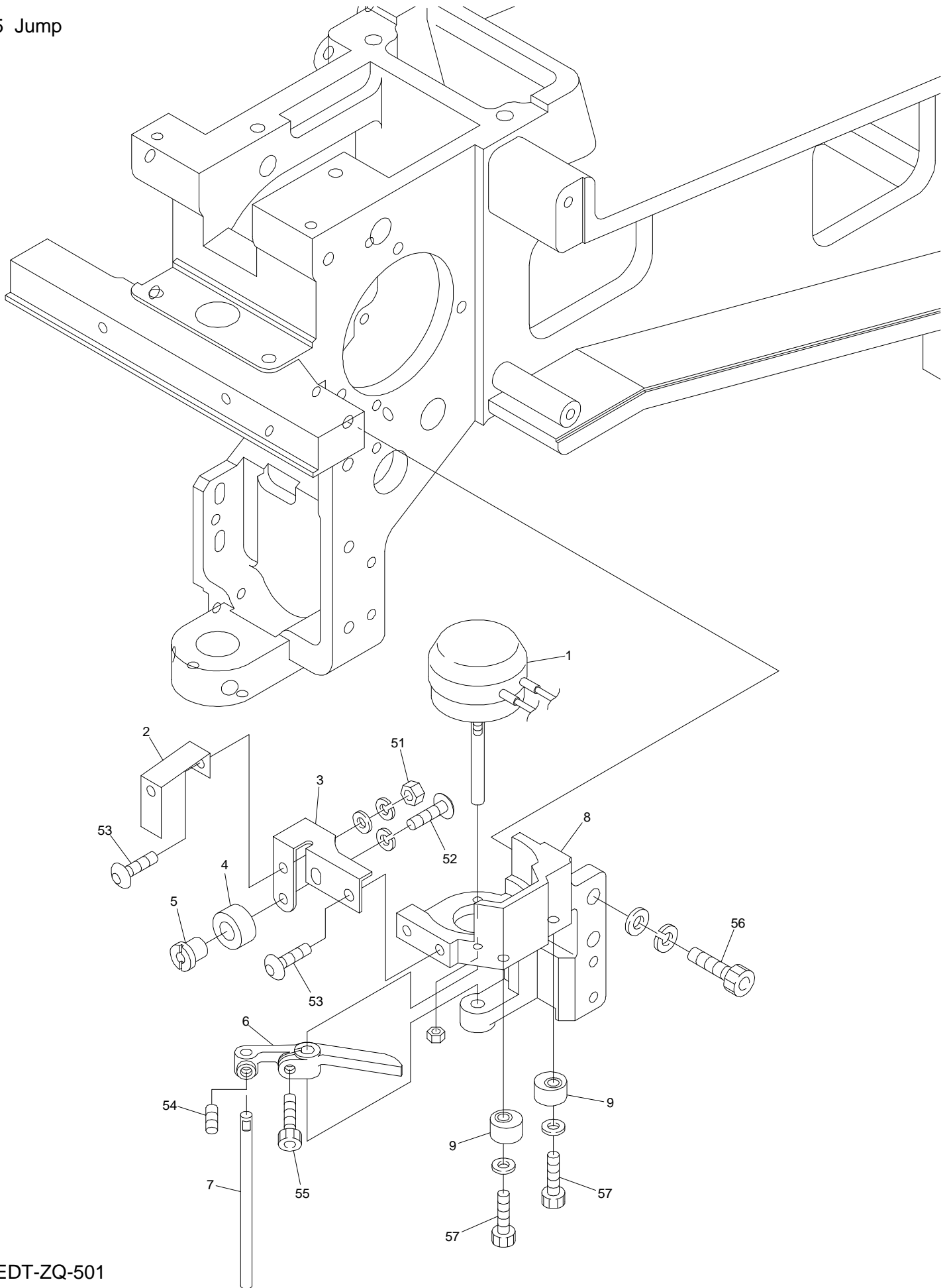
BEDT-ZQ-501

04D Needle bar D



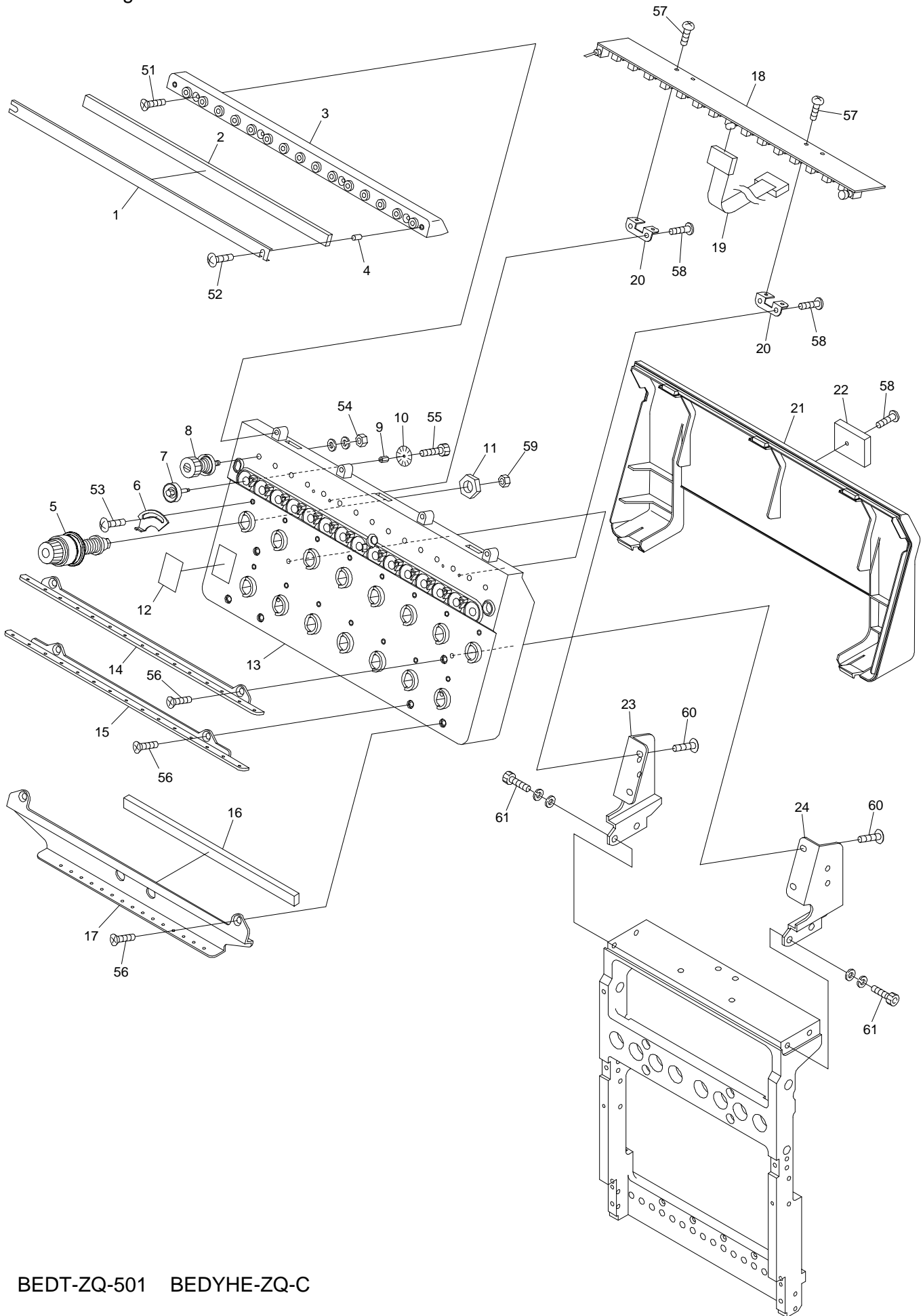
BEDT-ZQ-501

05 Jump



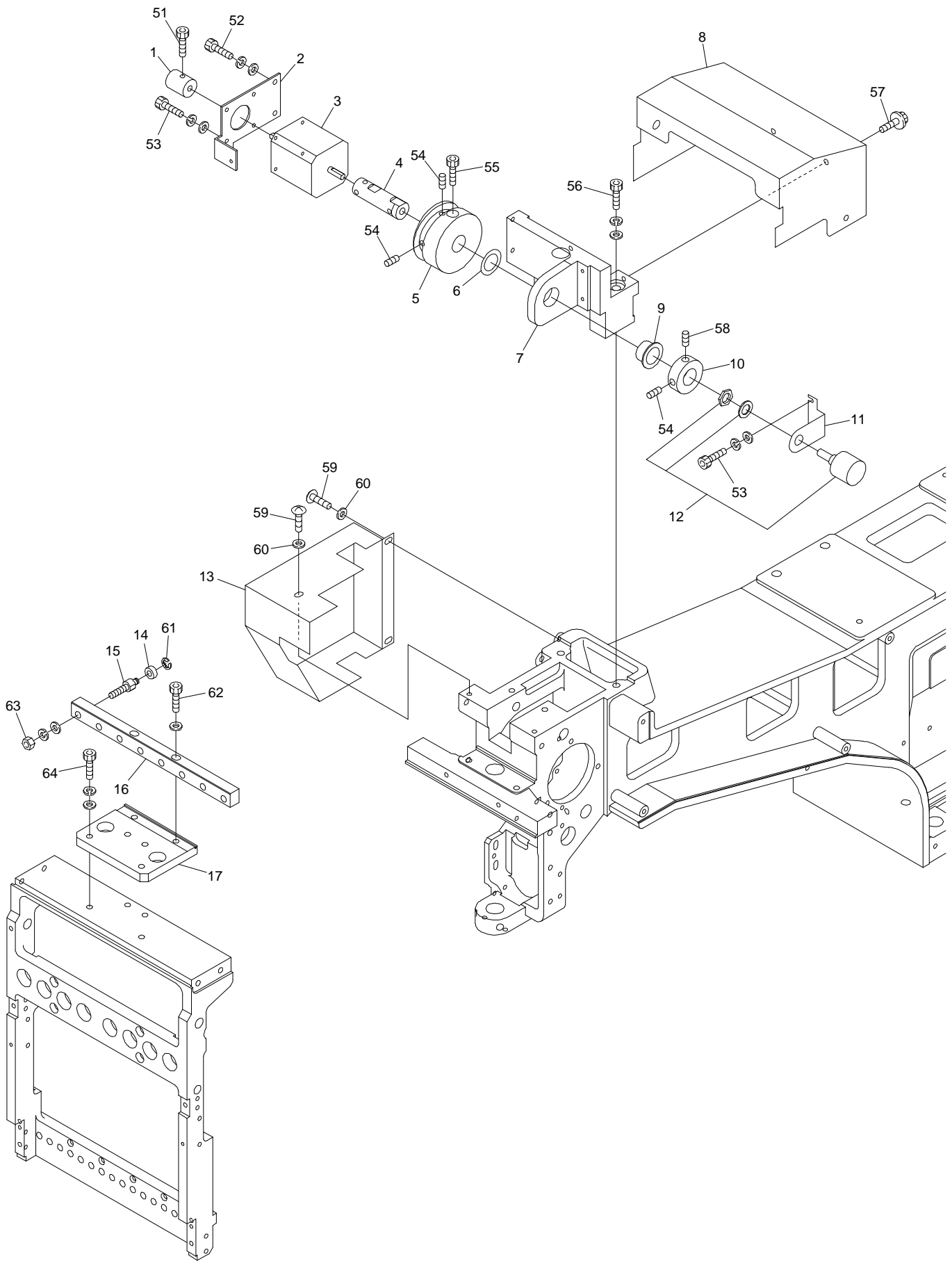
BEDT-ZQ-501

06 Thread guide



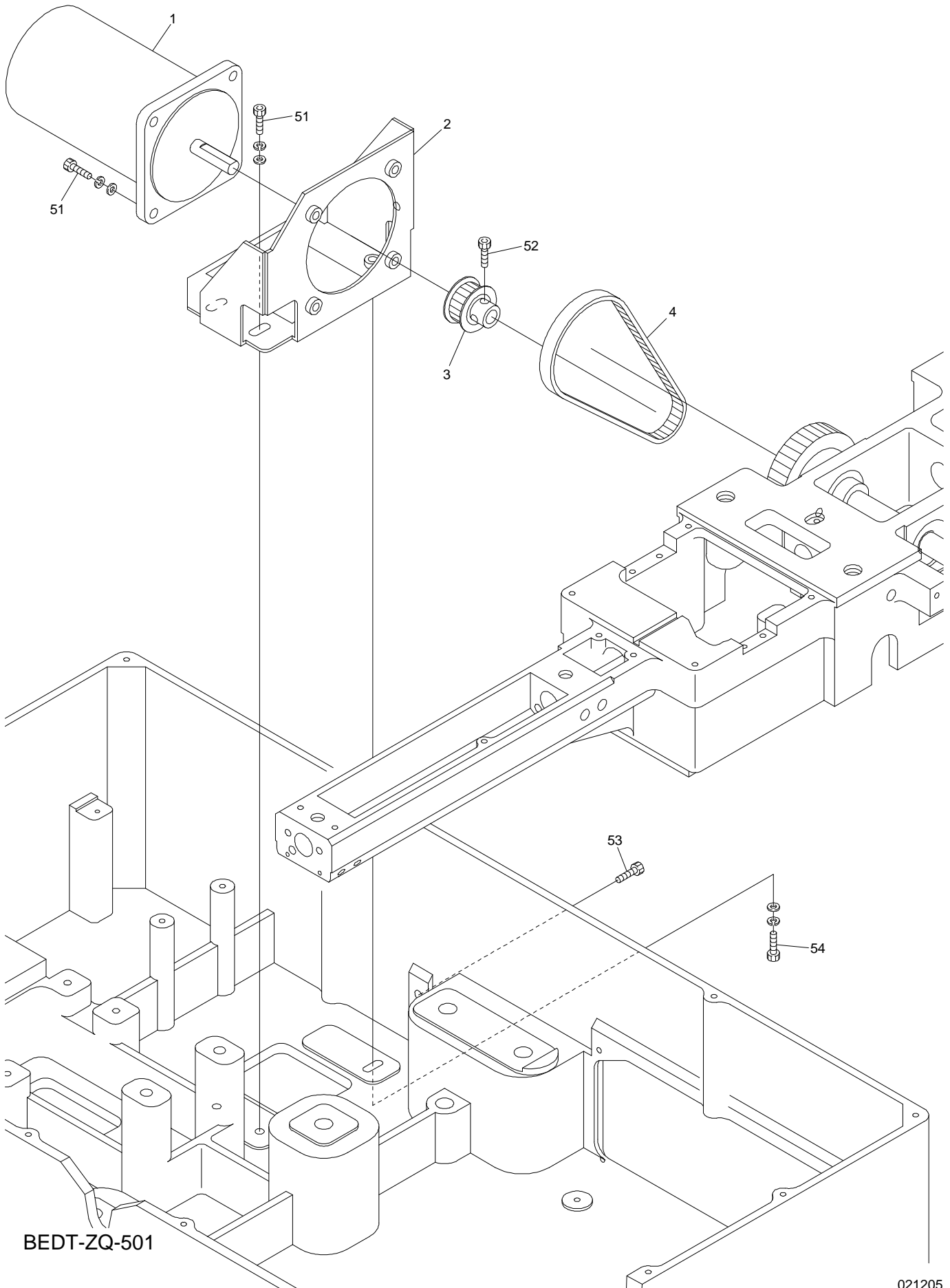
BEDT-ZQ-501 BEDYHE-ZQ-C

07 Color change



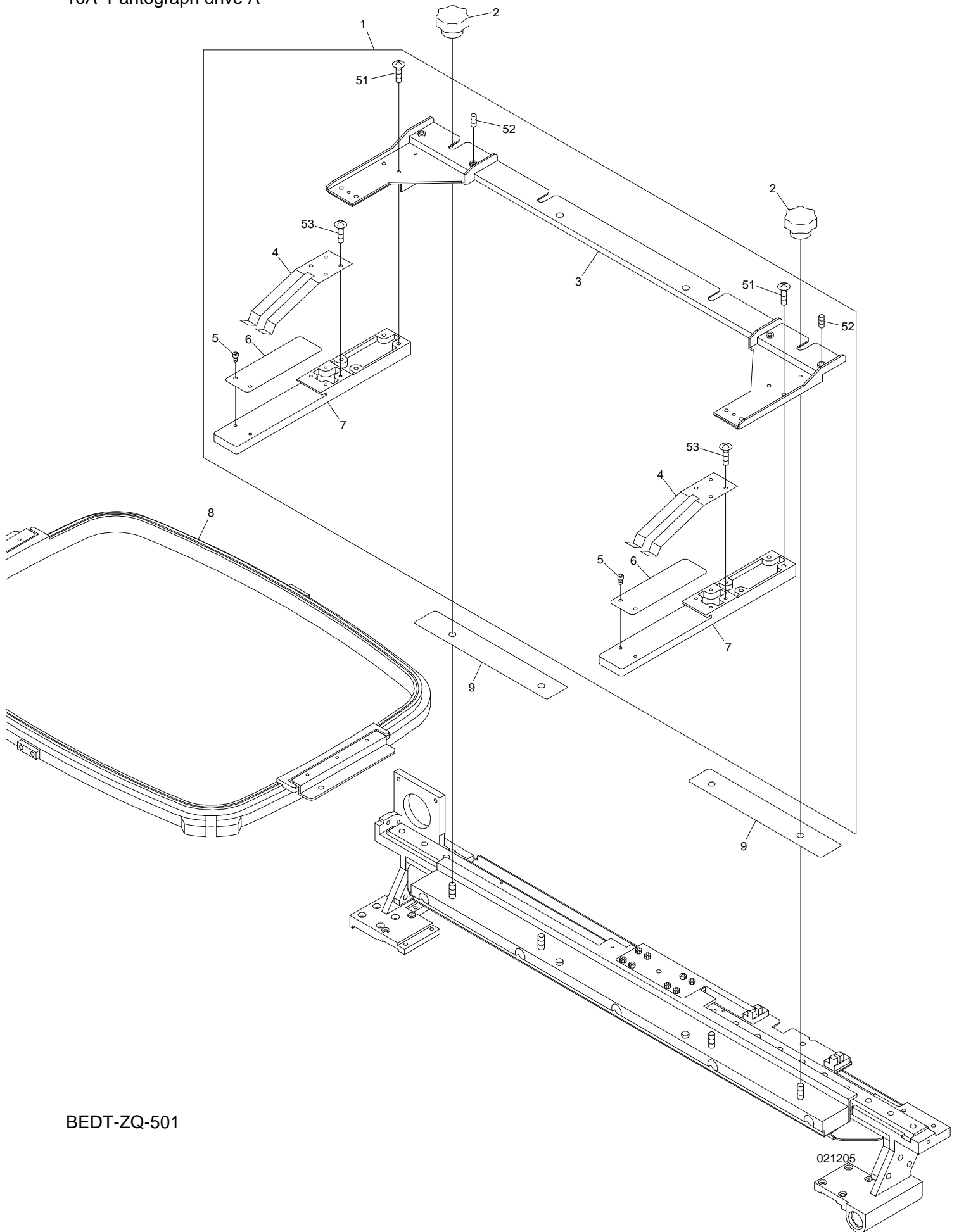
BEDT-ZQ-501

08 Drive



BEDT-ZQ-501

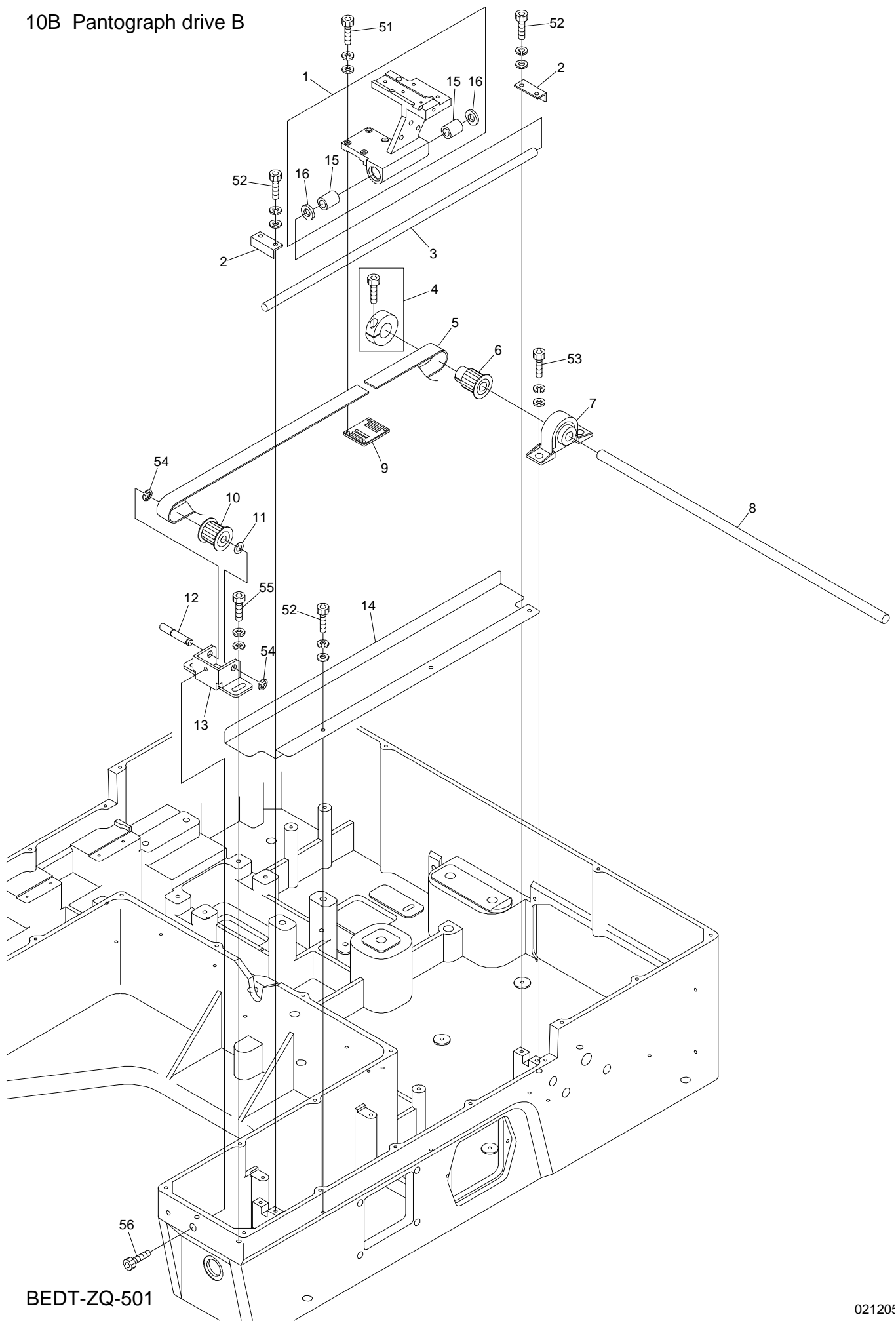
10A Pantograph drive A



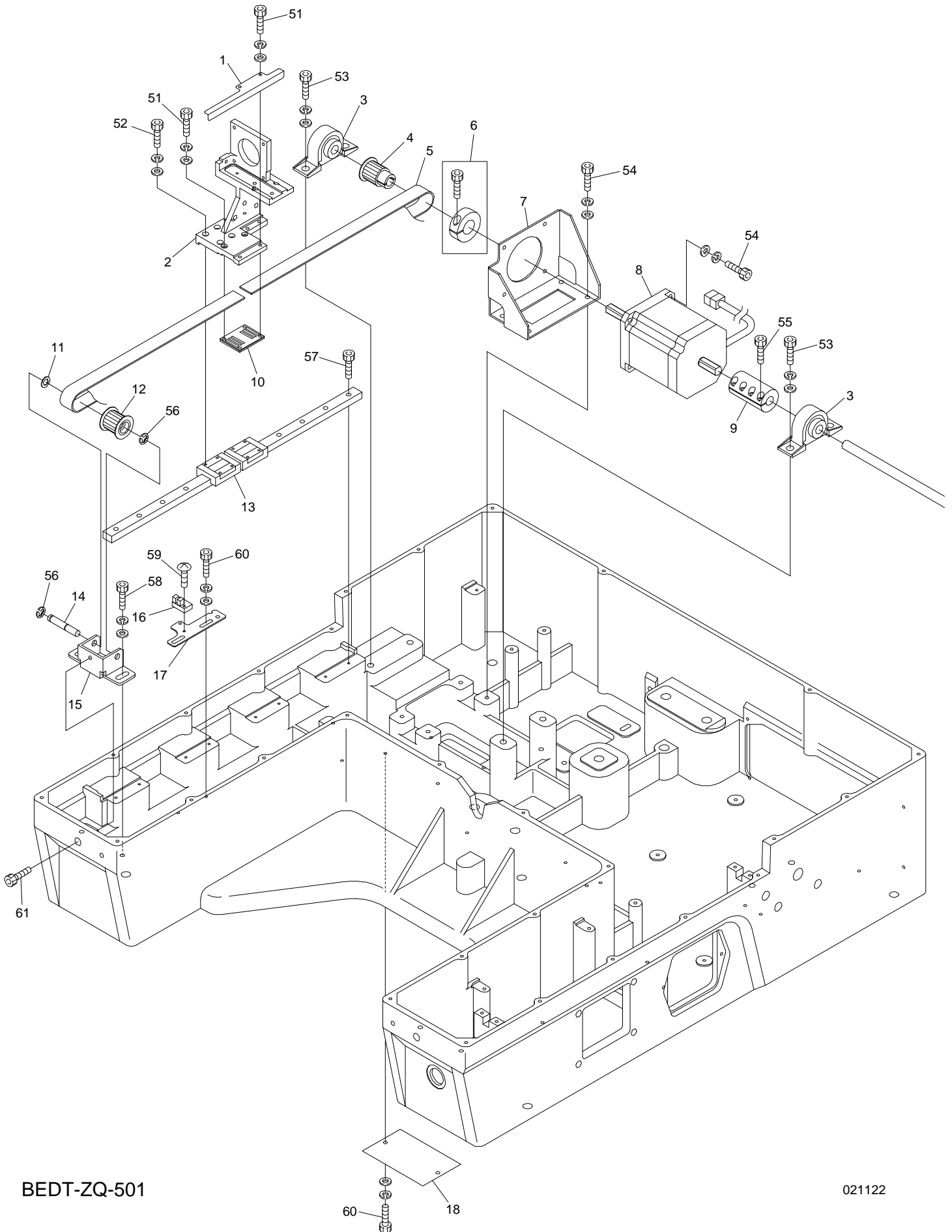
BEDT-ZQ-501

021205

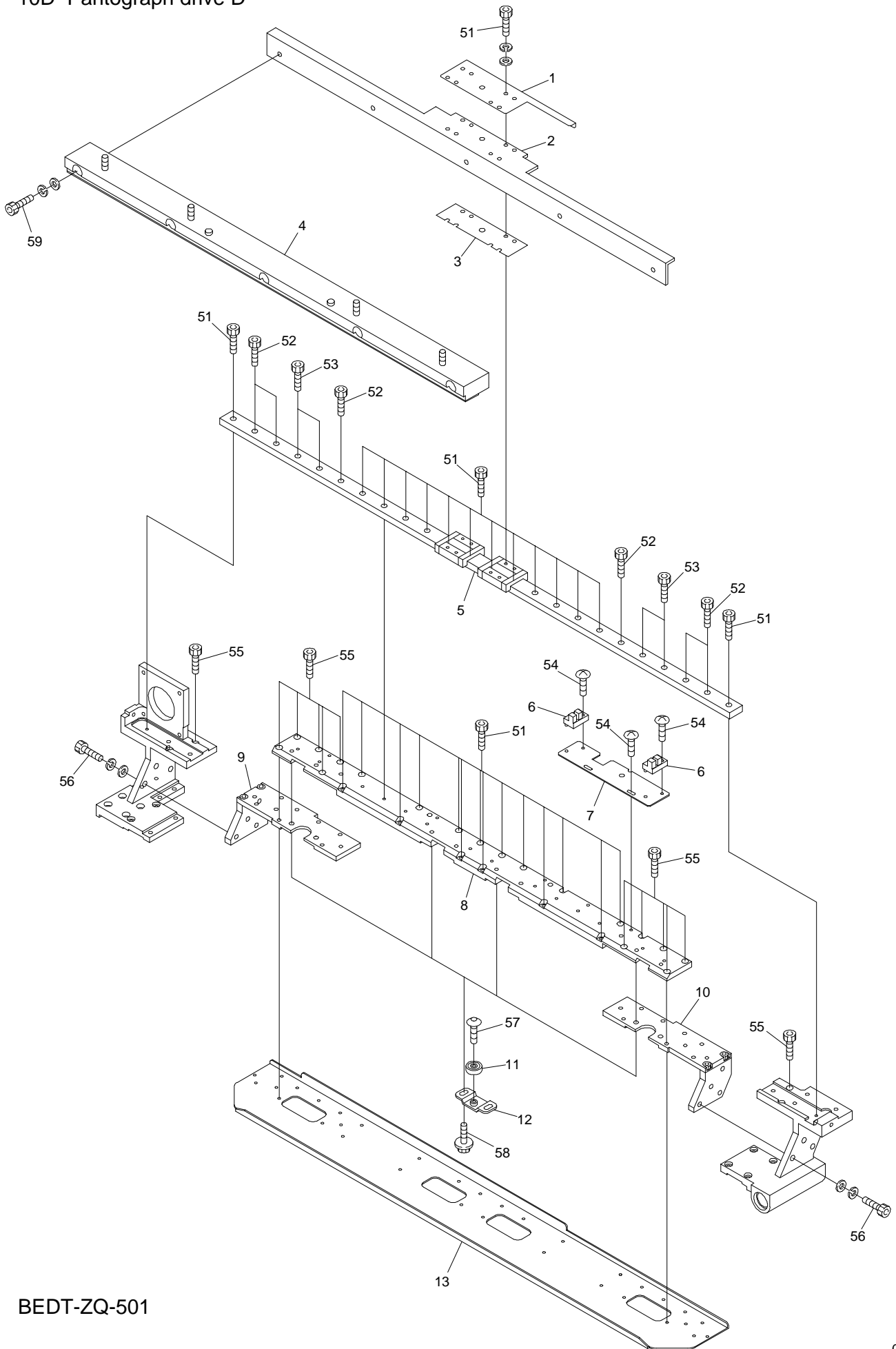
10B Pantograph drive B



10C Pantograph drive C

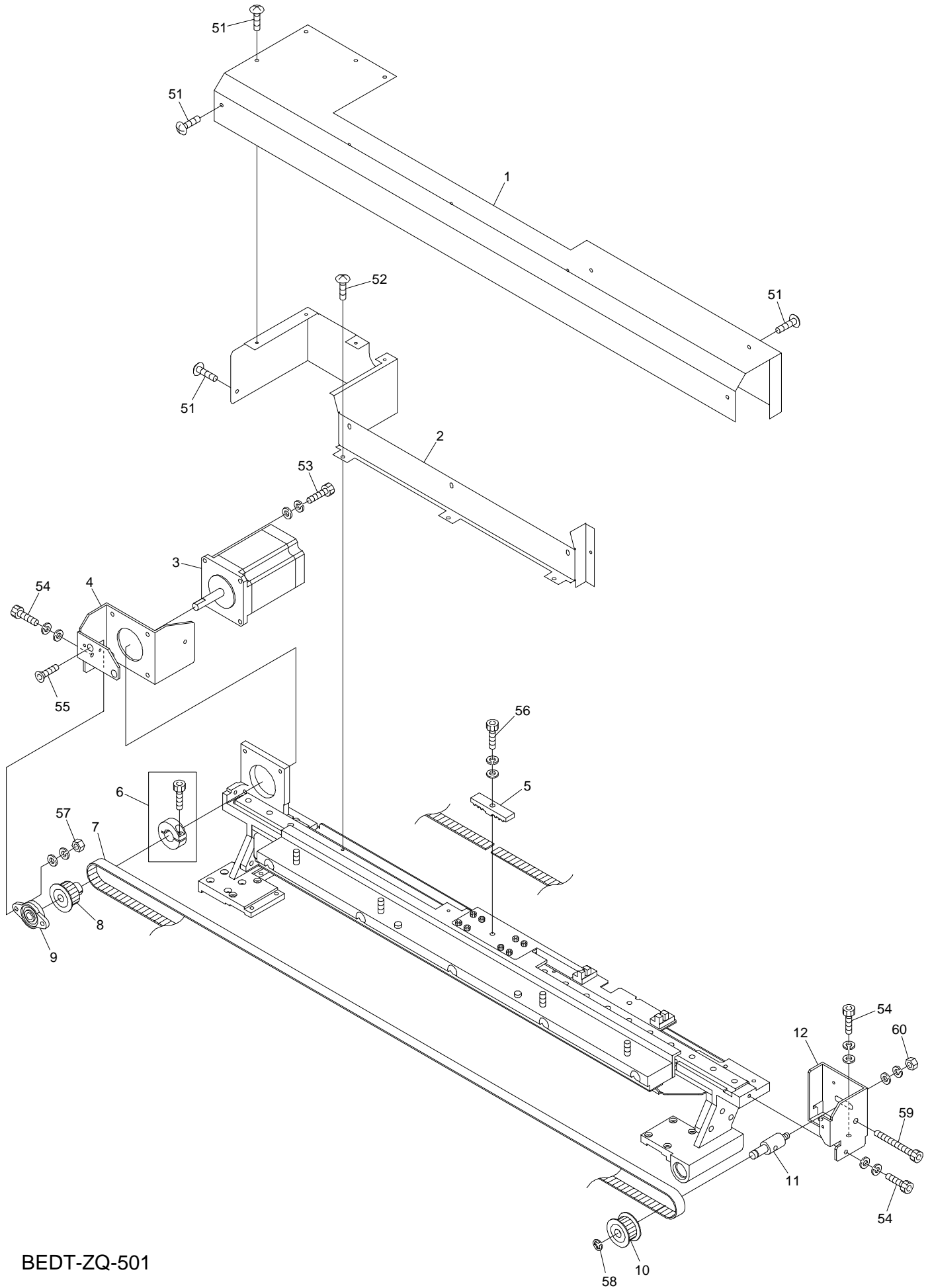


10D Pantograph drive D



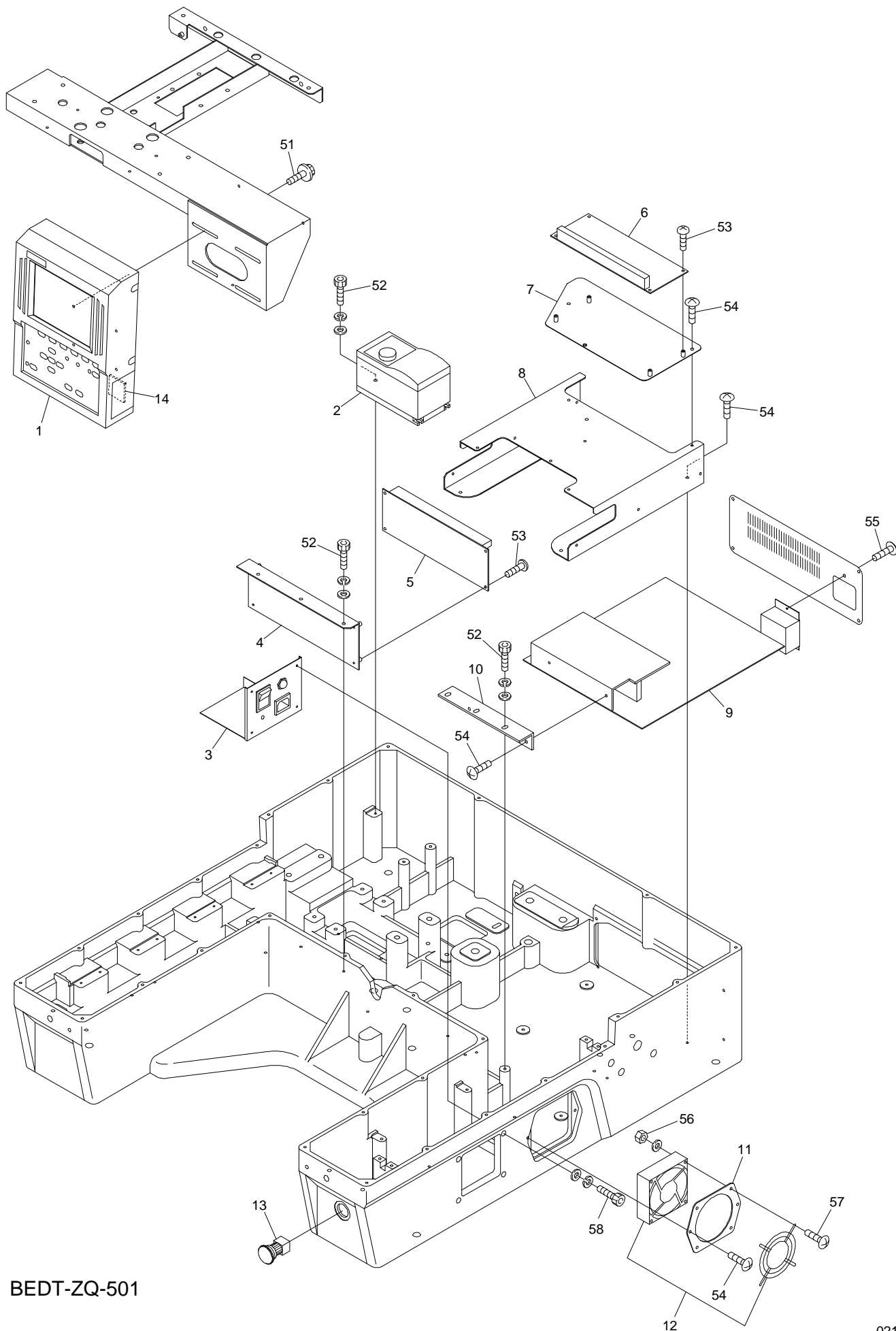
BEDT-ZQ-501

10E Pantograph drive E



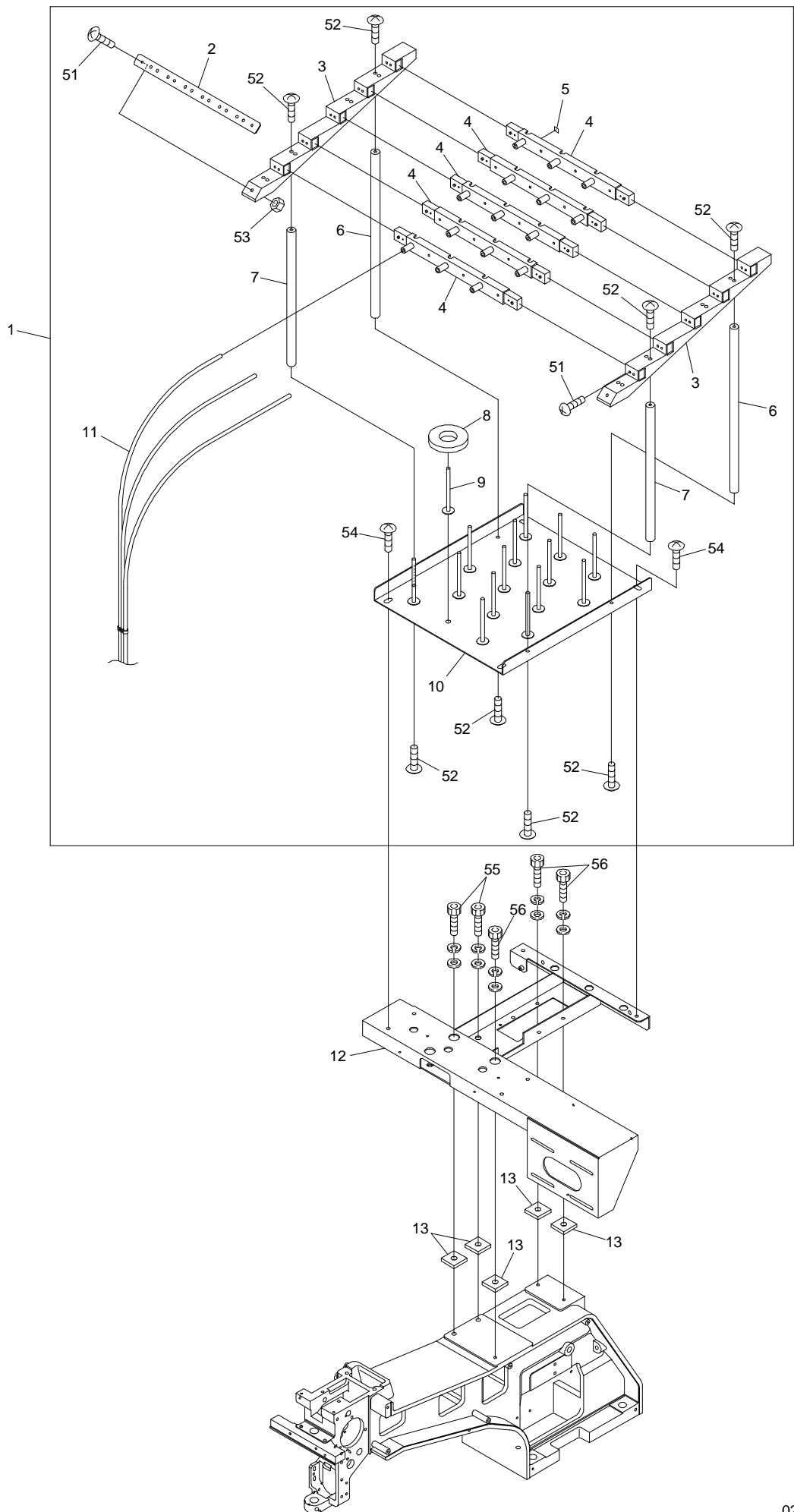
BEDT-ZQ-501

11 Control



BEDT-ZQ-501

12 Accessories



BEDT-ZQ-501

List No.	Section No.	Item	List No.	Section No.	Item
A9010004	01B	15	A9056041	02C	1
A9010063	07	14	A9068032	06	22
A9010065	04C	18	EAY070A1	11	1
A9010073	03	18	EBY01625	06	19
A9010109	07	6	EBY01710	11	13
A9010112	10D	11	EBY02610	06	18
A9011103	10B	15	EBY02620	11	9
A9011123	10B	16	EBY02630	11	2
A9011236	10B	7	EBY02650	11	5
A9011236	10C	3	EBY02660	11	6
A9011241	07	9	EBY02670	11	2
A9011250	10E	9	EBY02710	10C	16
A9011251	03	28	EBY02720	11	12
A9011256	10B	3	EBY02750	10D	6
A9011257	10C	13	EBY02760	11	3
A9011258	10D	5	FN070011SNY	04A	14
A9012027	01A	9	FR92330438A520A	10A	8
A9012053	04C	13	HB230070	03	22
A9012114	02B	12	HB230080	03	21
A9012127	04B	18	HB230200	04B	5
A9012164	10B	11	HB230220	04C	9
A9012164	10C	11	HB230261	04C	8
A9012368	04B	9	HB230271	04C	3
A9012421	03	19	HB230281	04C	6
A9012433	00	3	HB230361	04C	5
A9012437	10A	2	HB230620	03	24
A9012438	06	4	HB230650	03	7
A9012439	01B	16	HB230800	03	1
A9013066	02A	11	HB240020	05	6
A9013071	01B	19	HB240030	05	7
A9013072	10E	6	HB240041	05	9
A9014167	04A	19	HH481980	01B	18
A9019037	04C	15	HH481980	03	33
A9019071	00	13	HH481980	10B	4
A9020210	01B	7	HH481980	10C	6
A9020214	08	4	HP220712	01A	17
A9020215	10B	5	HP231370	04B	26
A9020215	10C	5	HP321082	01B	11
A9020216	10E	7	HS210031	01A	7
A9020217	01B	9	HS210051	02A	1
A9052028	02C	3	HS210080	02A	19
A9052078	02B	1	HS210300	02A	2
A9054054	11	14	HS220010	01A	4
A9056039	05	1	HT220061	01A	16
A9056040	02A	15	HT230120	04A	10

List No.	Section No.	Item	List No.	Section No.	Item
HT230220	05	4	KL270131	02C	10
HT230263	04A	6	KL270260	02C	2
HT230280	04B	12	KL270450	02C	7
HT230290	04B	7	KN272010	02A	12
HT230320	04B	27	KN272401	02A	17
HT230330	04A	5	KN272401	02C	5
HT230340	04B	31	KN540510	06	9
HT230410	04C	7	KX230071	04B	4
HT230420	04C	10	KX250080	01A	11
HT230450	04B	20	KX250080	02A	5
HT230460	04B	23	KX270000	02A	21
HT230471	04B	15	KX270010	02A	9
HT230480	04B	24	KX270430	02A	20
HT230491	04B	16	KX330160	07	15
HT230500	04B	25	LA230080	04C	14
HT230510	04B	6	LA230140	04C	16
HT230520	04B	8	LA250040	01A	13
HT230560	04B	13	LA270040	02A	16
HT230620	05	5	LA730600	10A	7
HT230730	04B	17	LA730610	10A	5
HT230750	04B	14	LA730630	10A	6
HT230760	04B	21	LA730650	10A	4
HT230770	04B	22	MB295250	02B	4
HT240101	06	10	MB295260	02B	7
HT240180	06	11	MB295270	02B	6
HT240290	06	7	MB295290	02B	5
HT250251	04A	4	MF210070	02B	3
HT270181	02A	13	MF210080	02B	2
HT710000	12	9	MF310000	08	3
KC250482	01A	8	MF510000	01B	21
KC271001	02A	3	MF510010	07	12
KC271120	02B	11	MF510020	02B	10
KC271940	02A	18	MF510030	08	1
KF220290	01A	15	MG210050	02B	9
KF220530	01A	2	MG210070	02B	8
KF220710	01A	3	MG330000	07	17
KF221020	01A	1	MG330010	07	16
KF230501	03	10	MG330030	07	5
KF230680	03	11	MG330040	07	4
KF230910	04A	9	MG330060	07	2
KF710390	12	8	MG330070	07	11
KL220120	01A	10	MG330080	07	10
KL270091	02C	8	MG330090	07	1
KL270101	02C	9	MG330110	07	3
KL270120	02C	11	MH120010	00	5

List No.	Section No.	Item	List No.	Section No.	Item
MH230140	04B	1	MK230090	04A	15
MH230150	04C	1	MK250000	01A	12
MH230160	05	2	MK250010	00	7
MH230170	04B	3	MK250020	00	6
MH230180	04B	2	MK250030	00	9
MH230190	04C	19	MK250040	00	8
MH230200	04B	28	MK250050	00	12
MH270080	02C	13	MK250060	00	14
MH270091	02C	12	MK250070	07	8
MH310011	01B	20	MK250080	07	13
MH310091	01B	8	MK250090	10C	18
MH480030	10B	6	MK250100	10B	14
MH480030	10C	4	MK250110	10E	1
MH480040	10B	10	MK250120	10E	2
MH480040	10C	12	MK250130	01B	1
MH480060	10C	9	MK250140	11	8
MH480120	10B	12	MK250150	11	10
MH480120	10C	14	MK250160	11	7
MH480180	10E	8	MK250170	11	4
MH480190	10E	10	MK250180	11	11
MH480230	10E	5	MK250190	01B	2
MH480280	10E	3	MK270000	02A	14
MH480290	10C	8	MK270010	02A	4
MH710051	12	13	MK270020	02C	14
MH790010	00	10	MK270030	02C	18
MK110000	00	11	MK270040	02C	20
MK110010	00	15	MK270050	02C	19
MK120000	00	1	MK270060	02C	15
MK120010	00	2	MK270070	02C	16
MK120020	00	4	MK270080	02C	17
MK210020	01B	4	MK310000	08	2
MK210030	01A	14	MK310010	01B	3
MK210040	01A	6	MK310020	01B	5
MK220000	01A	5	MK310030	01B	6
MK220010	03	31	MK310040	03	13
MK230000	01B	17	MK310050	03	29
MK230000	03	32	MK310060	01B	14
MK230010	04A	27	MK310070	01B	13
MK230020	04A	26	MK320000	01B	10
MK230030	04D	4	MK330000	07	7
MK230040	04A	17	MK480000	10B	1
MK230050	04A	16	MK480010	10C	2
MK230060	04B	19	MK480020	10C	7
MK230070	04C	11	MK480030	10B	8
MK230080	04C	12	MK480040	10B	13

List No.	Section No.	Item	List No.	Section No.	Item
MK480040	10C	15	RH230330	03	30
MK480050	10B	2	RH230410	04A	3
MK480060	10B	9	RH230440	04A	11
MK480060	10C	10	RH230450	04A	13
MK480070	10C	17	RH230460	04A	12
MK480080	10C	1	RH230540	04B	11
MK480090	10E	4	RH230550	04B	10
MK480100	10E	12	RH230610	03	6
MK480110	10D	2	RH230801	03	3
MK480130	10D	3	RH230810	03	5
MK480140	10E	11	RN230010	03	15
MK480150	10D	7	RN230020	03	20
MK480160	10D	1	RN230030	03	16
MK480170	10D	13	RN230040	03	17
MK480180	10D	12	RR230080	04C	4
MK480190	10D	8	RR230090	04C	2
MK480200	10D	10	RR240300	06	8
MK480210	10D	9	RR240330	06	20
MK480220	10D	4	RR240390	06	12
MK710000	12	1	RR240510	06	6
MK710010	12	12	RV230060	03	8
MK730000	10A	1	RV230070	03	2
MK730010	10A	3	RV230250	04B	30
MK730020	10A	9	RV240010	06	13
MK790000	01B	12	RV240020	06	3
RD230060	04A	23	RV240040	06	14
RD230130	03	9	RV240050	06	15
RD230250	05	8	RV240062	06	17
RD230370	04A	8	RV240071	06	24
RD230480	04A	1	RV240081	06	23
RD230490	04A	2	RV240091	06	16
RD240154	06	5	RV240100	06	1
RD240271	04D	2	RV240110	06	2
RD710310	12	11	RV250070	04D	3
RD710330	12	4	SC710010	12	10
RD710340	12	3	SG230000	04B	29
RD710351	12	7	SG230220	04A	7
RD710361	12	6	SG230240	03	23
RD710370	12	2	SG230260	05	3
RD710380	12	5	SG230300	04C	17
RH230271	03	27	SG230370	03	14
RH230280	03	26	SG250230	04D	9
RH230300	03	25	SG270080	02C	4
RH230311	03	4	SG270090	02C	6
RH230320	03	12	SG270140	04D	5

