

BEVY - Y9F (BN)

HIGH SPEED AUTOMATIC EMBROIDERY MACHINE

高速自動刺繍ミシン

C O N T E N T S

目 次

Machine layout (BEVY-Y9F(BN))

配置図 (BEVY-Y9F(BN))

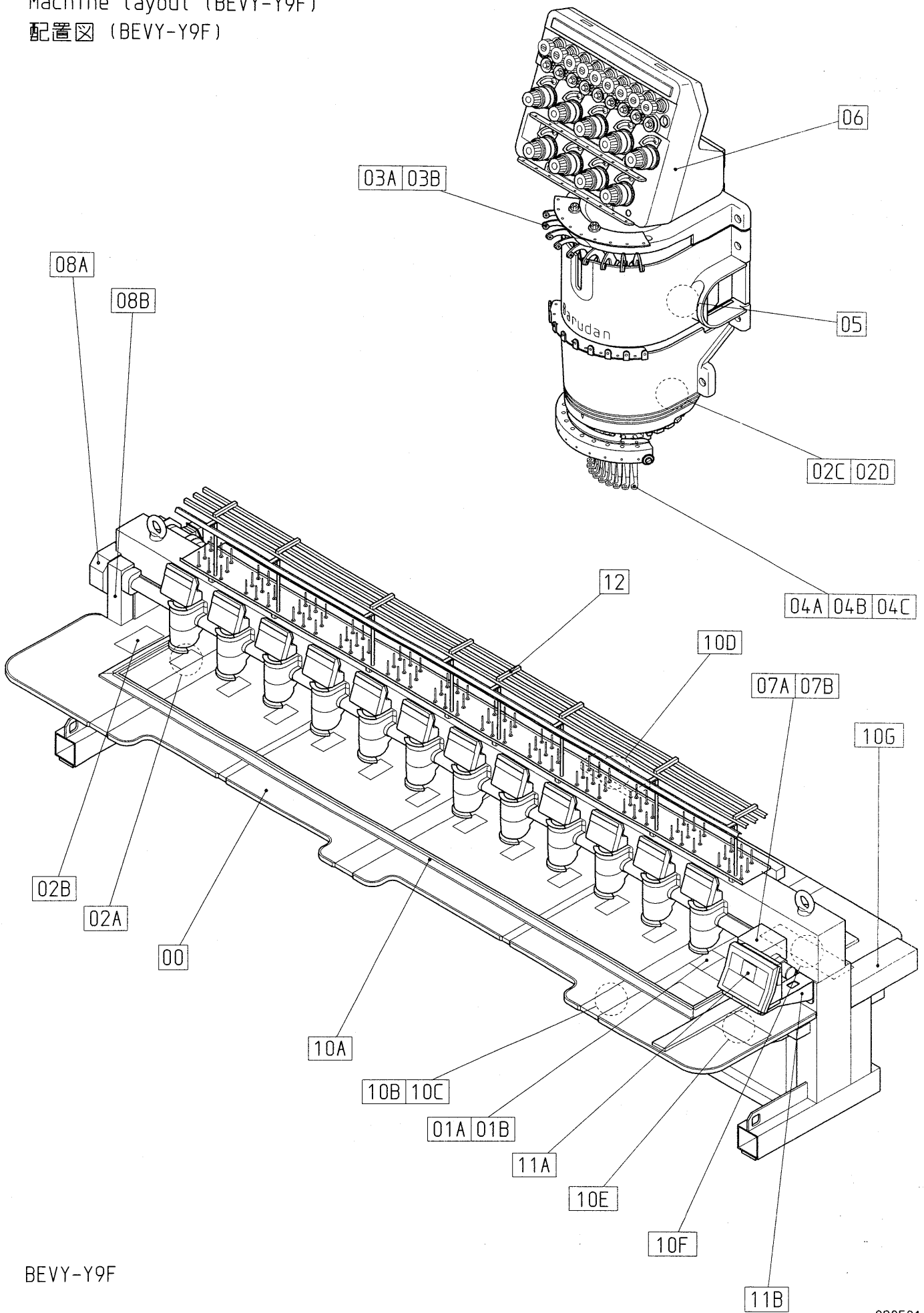
- 00 Table・Frame
テーブル・フレーム
- 01A Head・Bed A
ヘッド・ベッドA
- 01B Head・Bed B
ヘッド・ベッドB
- 02A Thread cut A
糸切りA
- 02B Thread cut B
糸切りB
- 02C Thread cut C
糸切りC
- 02D Thread cut D
糸切りD
- 03A Take up lever A
天秤A
- 03B Take up lever B
天秤B
- 04A Needle bar A
針棒A
- 04B Needle bar B
針棒B
- 04C Needle bar C
針棒C
- 05 Jump
ジャンプ
- 06 Thread guide
糸道

- 07A Color change A
色換え A
- 07B Color change B
色換え B
- 08A Drive A
駆動 A
- 08B Drive B
駆動 B
- 10A Pantograph drive A
枠駆動 A
- 10B Pantograph drive B
枠駆動 B
- 10C Pantograph drive C
枠駆動 C
- 10D Pantograph drive D
枠駆動 D
- 10E Pantograph drive E
枠駆動 E
- 10F Pantograph drive F
枠駆動 F
- 10G Pantograph drive G
枠駆動 G
- 11A Control A
制御 A
- 11B Control B
制御 B
- 12 Accessories
付属品

INDEX
索引

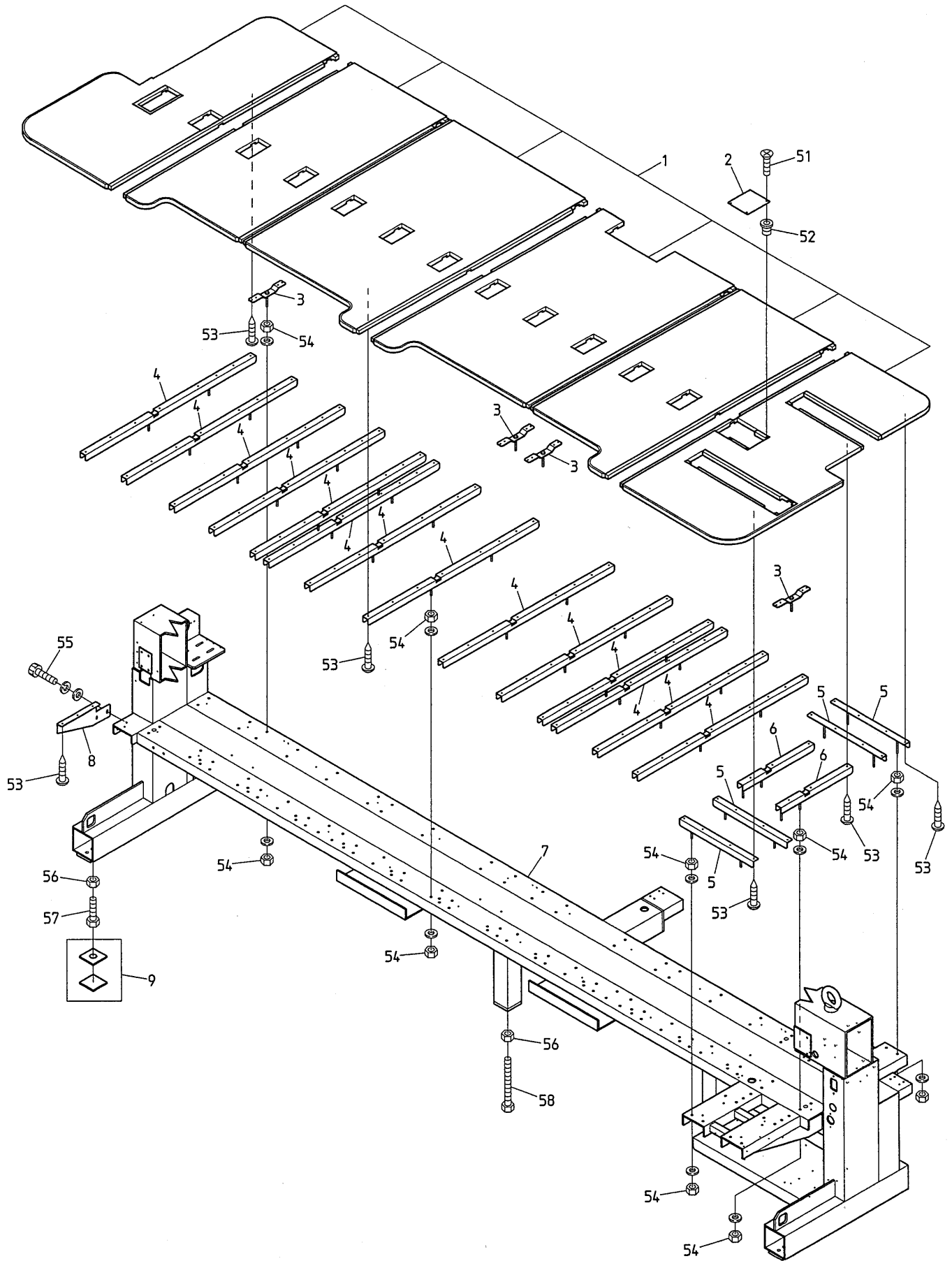
Machine layout (BEVY-Y9F)

配置図 (BEVY-Y9F)



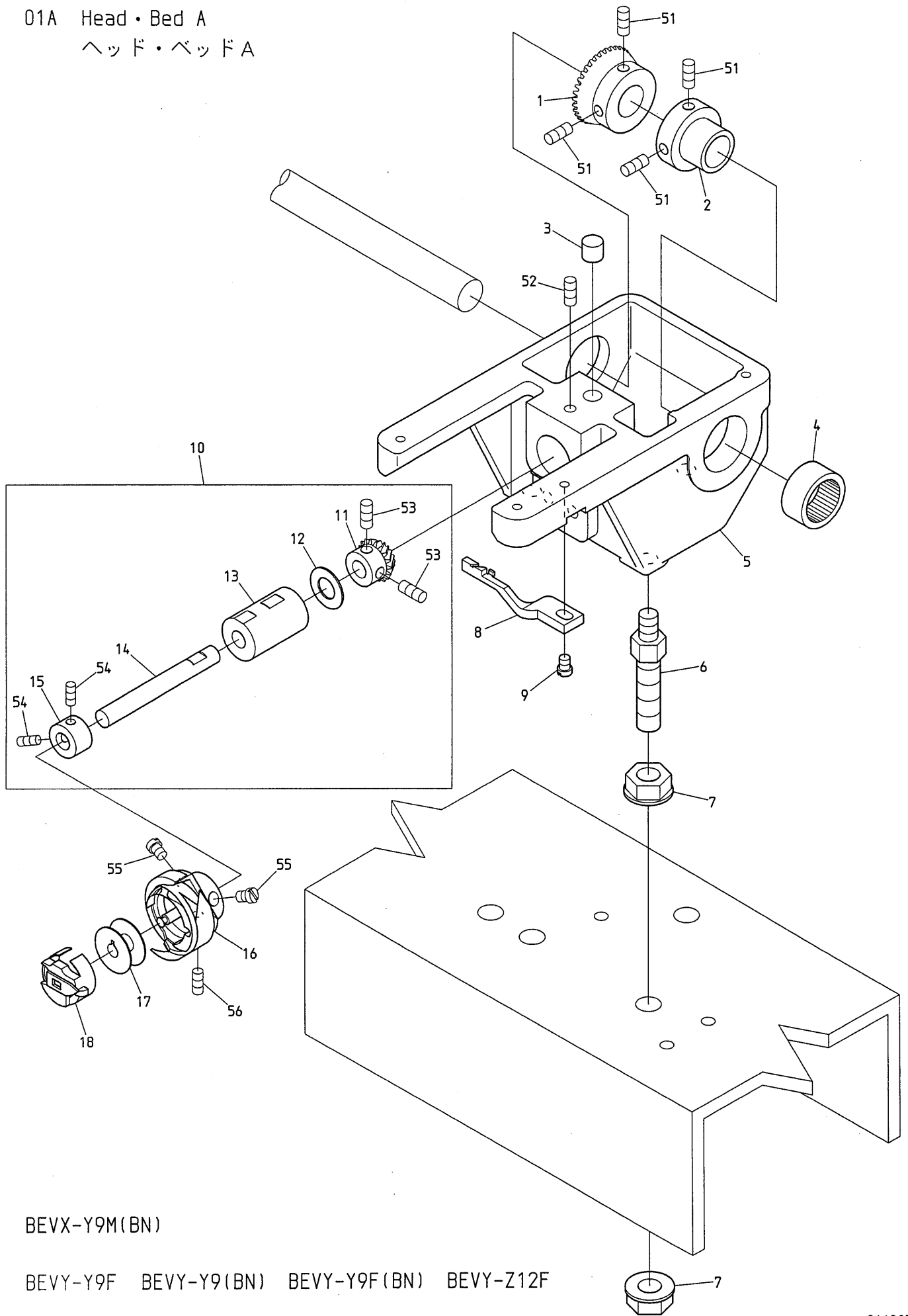
BEVY-Y9F

00 Table・Frame
テーブル・フレーム



BEVY-Y9F (BN)

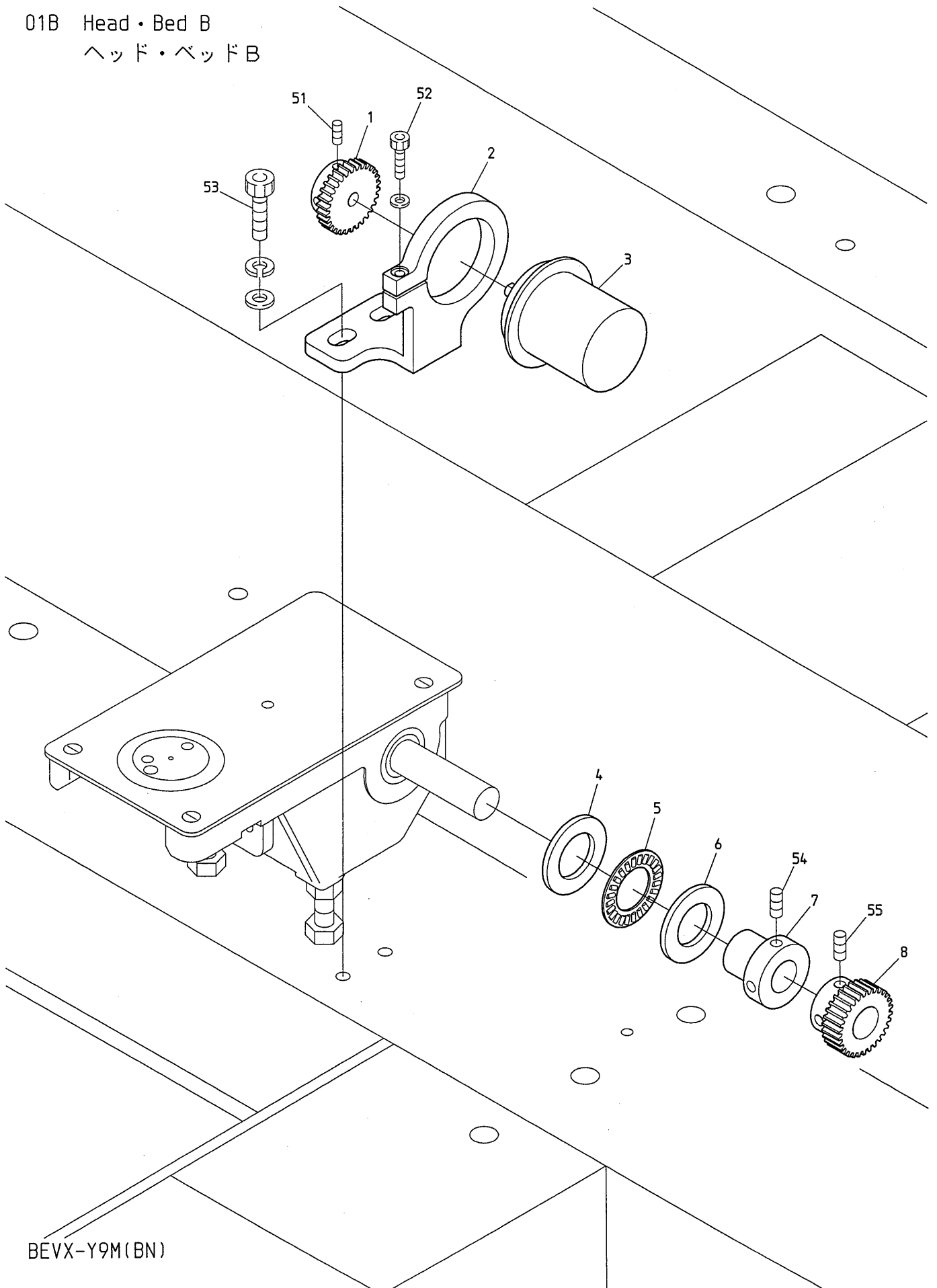
01A Head・Bed A
 ヘッド・ベッドA



BEVX-Y9M(BN)

BEVY-Y9F BEVY-Y9(BN) BEVY-Y9F(BN) BEVY-Z12F

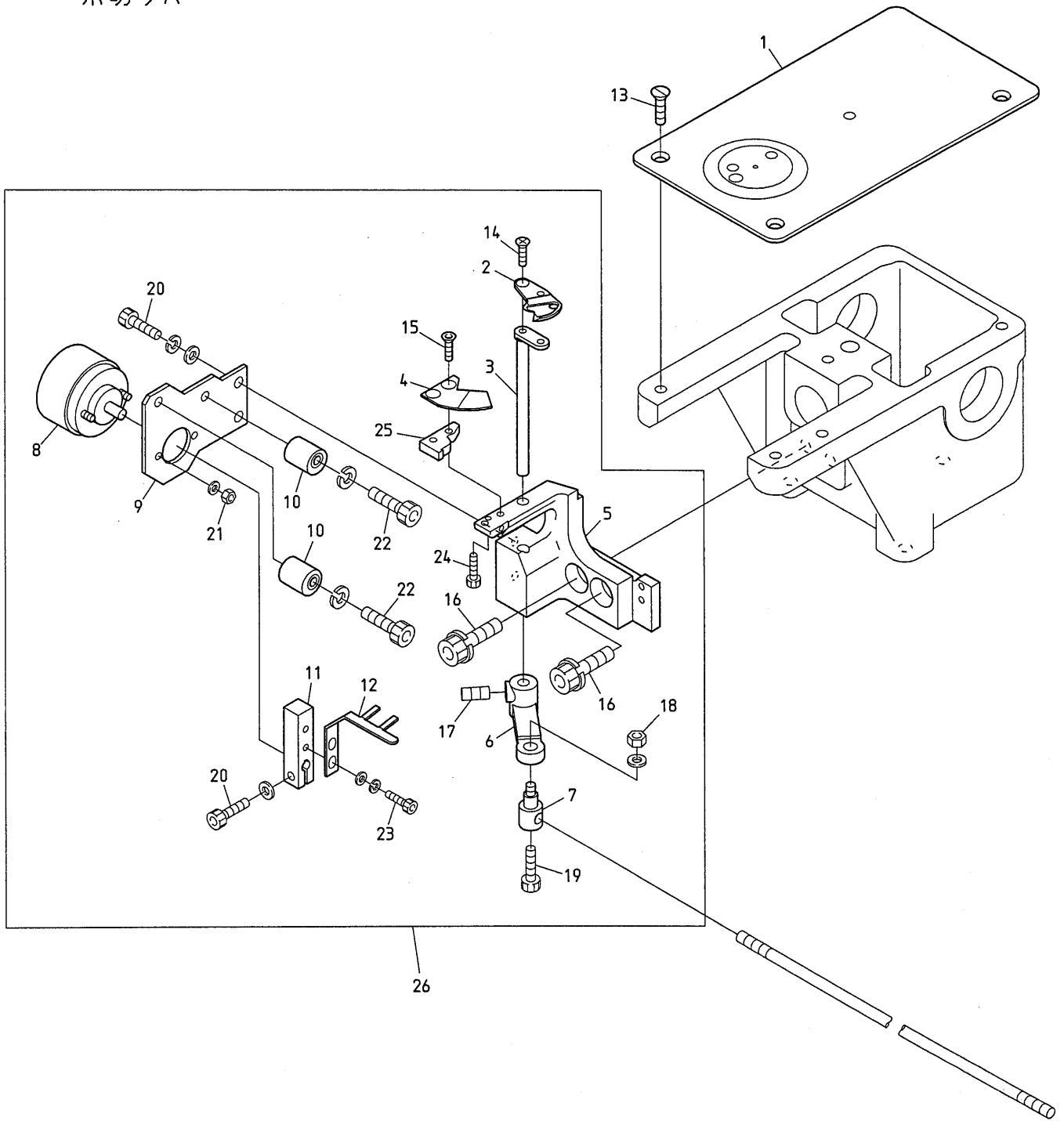
01B Head・Bed B
 ヘッド・ベッドB



BEVX-Y9M(BN)

BEVY-Y9 BEVY-Y9F BEVY-Y9F(BN) BEVS-HLZ12 BEVY-Z12/Z15 BEVY-Z12F

02A Thread cut A
糸切りA

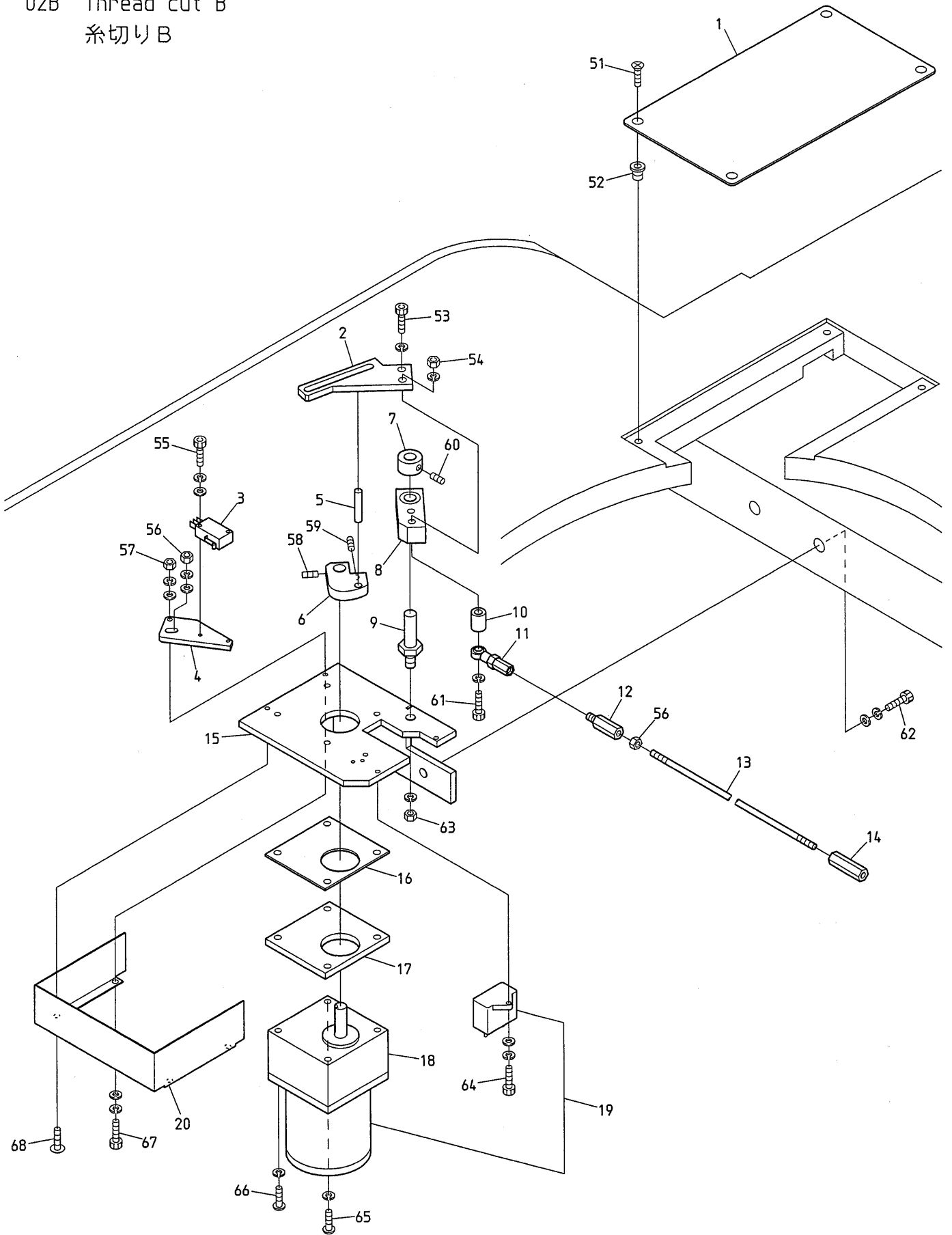


BEDSH-YN/YS-BS BEDSH-SAY8-12 BEVS-Y9/Y7
BEDRH-YN/YS-BS

BEVX-Y9M/Y7M BEVY-Y9M(BN) BEVY-Y9 BEVY-Y9F BEVY-Y9M/Y7M BEVY-Y9(BN)

BEVY-Y9F(BN) BEVS-Z9/Z12/Z15 BEVS-HLZ12 BEVY-Z12/Z15 BEVY-Z12F

02B Thread cut B
糸切りB



BEVX-Y9M(BN) BEVY-Y9F(BN)

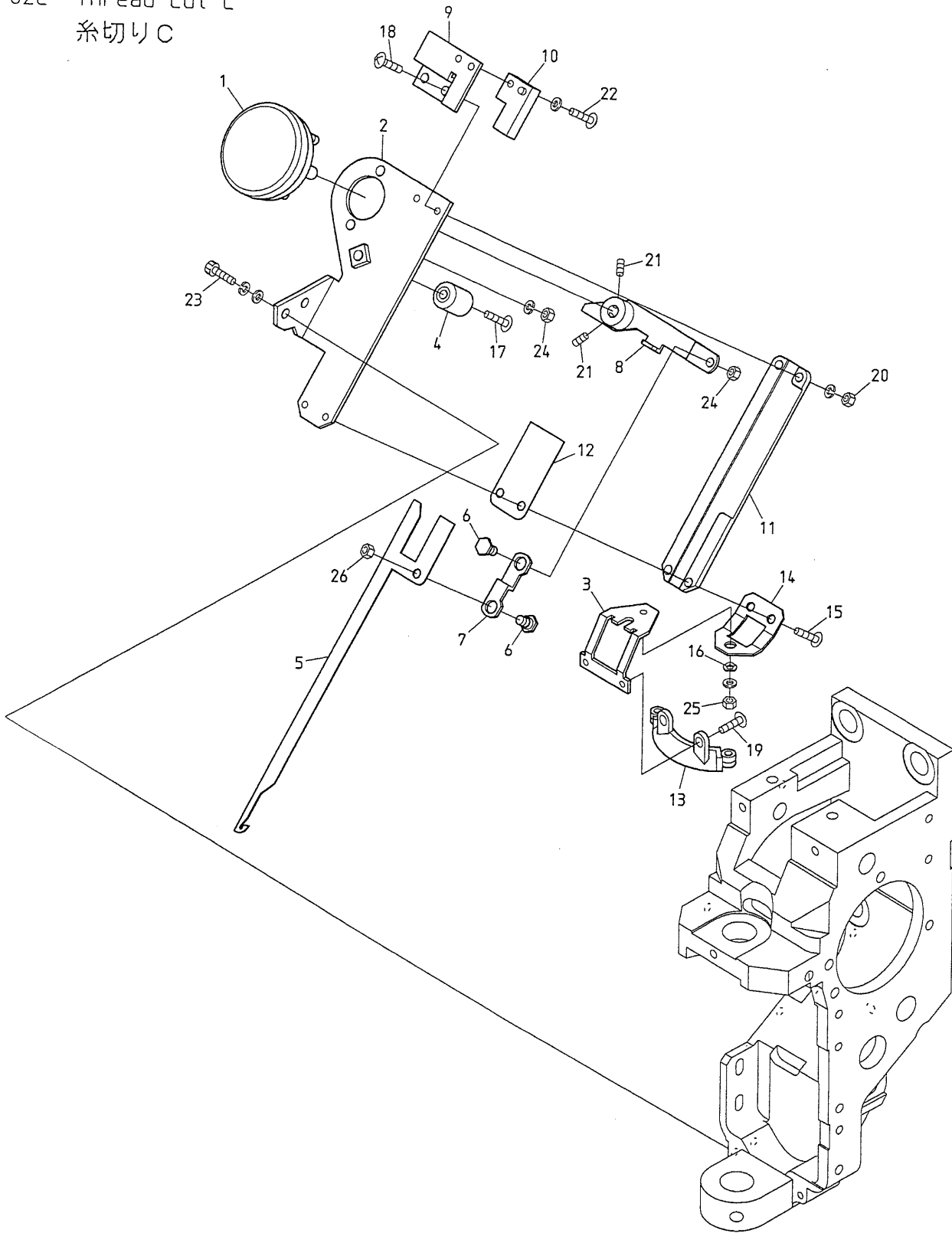
0 2 B Thread cut B
糸切り B

(Depends on machine type)

(は機種によって異なる)

| ITEM | L I S T No. | D E S C R I P T I O N | 部品名 | Q'TY | NOTE |
|------|-----------------|--|--------------------------|------|------|
| 1 | K C 2 7 1 4 4 0 | LID, TRIMMER DRIVE SYSTEM MAINTENANCE | 駆動部サービスカバー | 1 | |
| 2 | H V 2 7 0 3 6 0 | LEVER, TRIMMER DRIVE MK6R2 | モーターレバー(MK6R2) | 1 | |
| 3 | A 9 0 5 2 0 7 8 | SWITCH, MICRO D2VW-01L2A-1 | マイクロスイッチ(D2VW-01L2A-1) | 1 | |
| 4 | H V 2 7 0 2 8 0 | PLATE, MICRO SWITCH | LSブラケット | 1 | |
| 5 | K N 2 7 2 3 5 0 | PIN, TRIMMER DRIVE 6MM L35 | 駆動ピン 6(L=35) | 1 | |
| 6 | H V 2 7 0 3 5 0 | CAM, TRIMMER DRIVE MK6R2 | 駆動カム(MK6R2) | 1 | |
| 7 | K C 3 3 0 1 8 0 | COLLAR, SET 10MM | カラー 10 | 1 | |
| 8 | K N 2 7 1 7 8 2 | LEVER, TRIMMER DRIVE | 駆動レバー | 1 | |
| | A 9 0 1 0 0 6 4 | BEARING, NEEDLE NTN HMK1015 | ニードルベアリング(HMK1015,NTN) | 1 | |
| 9 | K N 2 7 1 7 5 0 | SHAFT, MOTOR LEVER DRIVE | モーターレバー回転軸 | 1 | |
| 10 | K N 2 7 1 8 0 0 | COLLAR, TRIMMER DRIVE LEVER | 駆動レバーカラー | 1 | |
| 11 | A 9 0 1 2 0 0 2 | JOINT, UNI-BALL PR-6 | ユニボールジョイント(PR-6) | 1 | |
| 12 | H H 3 3 0 7 6 0 | POST, HEXAGONAL | 六角連結棒 | 1 | |
| 13 | K C 3 3 0 4 1 0 | ROD, CONNECTING L2000 | ロック連結ロッド(2M) | | |
| 14 | H H 3 3 0 7 7 0 | NUT, JOINT L35 | 六角連結棒 35L | | |
| 15 | H V 2 7 0 2 4 0 | BRACKET, COLOR CHANGE MOTOR | モーターブラケット | 1 | |
| 16 | S T 2 7 0 0 1 0 | SPACER, MOTOR CH | モータースペーサー(CH) | 1 | |
| 17 | K N 2 7 1 7 2 0 | SPACER, MOTOR | モータースペーサー | 1 | |
| 18 | A 9 0 6 5 1 1 4 | GEAR BOX, MOTOR 3GN25K | ギヤヘッド(3GN25K) | 1 | |
| 19 | A 9 0 6 5 1 1 3 | MOTOR, REVERSIBLE 3RK15GN-AWJG | レバーシブルモーター(3RK15GN-AWJG) | 1 | |
| 20 | R R 2 7 0 0 1 0 | COVER, MOTOR BRACKET MK6 DS | モーターブラケットカバー(MK6) DS | 1 | |
| 51 | | SCREW (w/undercut), CROSS RECESSED HEAD FLAT M4x8 | 十字穴付皿小ネジ M4×8(アンダーカット) | | |
| 52 | | NUT C, RAG M4 | 鬼目ナット(C) M4 | | |
| 53 | | BOLT, HEX. SOCKET HEAD CAP M6x15 | 六角穴付ボルト M6×15 | | |
| 54 | | NUT, HEX. M6 | 六角ナット M6 | | |
| 55 | | BOLT, HEX. SOCKET HEAD CAP M3x15 | 六角穴付ボルト M3×15 | | |
| 56 | | NUT, HEX. M5 | 六角ナット M5 | | |
| 57 | | NUT (w/plain & spring washers), HEX. M4 | 六角ナット M4(平座金 バネ座金付) | | |
| 58 | | SCREW, HEX. SOCKET SET (Dog point) M5X8 | 六角穴付止メネジ(棒先) M5×8 | | |
| 59 | | SCREW, HEX. SOCKET SET (Flat point) M5X8 | 六角穴付止メネジ(平先) M5×8 | | |
| 60 | | SCREW, HEX. SOCKET SET M5x6 | 六角穴付止メネジ M5×6 | | |
| 61 | | BOLT, HEX. SOCKET HEAD CAP M6x75 | 六角穴付ボルト M6×75 | | |
| 62 | | BOLT, HEX. SOCKET HEAD CAP M8x25 | 六角穴付ボルト M8×25 | | |
| 63 | | NUT, HEX. M8 | 六角ナット M8 | | |
| 64 | | BOLT (w/plain & spring washers), HEX. SOCKET HEAD CAP M4x10 | 六角穴付ボルト M4×10(平座金 バネ座金付) | | |
| 65 | | SCREW, CROSS RECESSED HEAD PAN M5x75 | 十字穴付ナベ小ネジ M5×75 | | |
| 66 | | SCREW, CROSS RECESSED HEAD PAN M5x65 | 十字穴付ナベ小ネジ M5×65 | | |
| 67 | | BOLT, HEX. SOCKET HEAD CAP M4x18 | 六角穴付ボルト M4×18 | | |
| 68 | | SCREW, CROSS RECESSED HEAD TRUSS M4x6 | 十字穴付トラス小ネジ M4×6 | | |
| | | | | | |
| | | | | | |
| | | | | | |

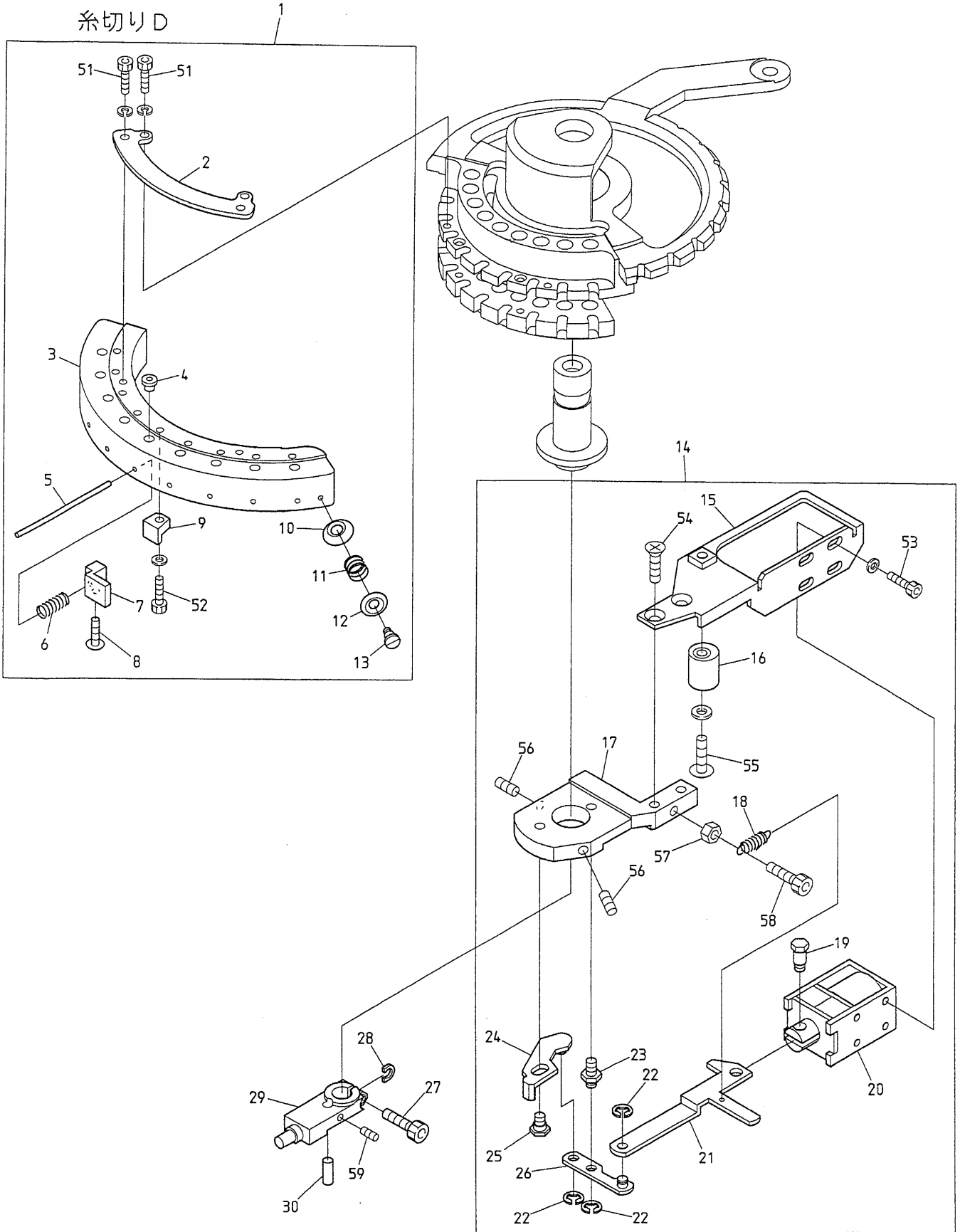
02C Thread cut C
糸切りC



BEDSH-YN/YS-BS BEDSH-SAY8-12 BEVS-Y9/Y7 BEVX-Y9M/Y7M BEVX-Y9M(BN)
BEDRH-YN/YS-BS

BEVY-Y9 BEVY-Y9F BEVY-Y9M/Y7M BEVY-Y9(BN) BEVY-Y9F(BN) BEVY-Y9C

02D Thread cut D
糸切りD



BEDSH-YN/YS-BS BEDSH-SAY8-12 BEVS-Y9/Y7 BEVX-Y9M/Y7M BEVX-Y9M(BN)
BEDRH-YN/YS-BS

BEVY-Y9 BEVY-Y9F BEVY-Y9M/Y7M BEVY-Y9(BN) BEVY-Y9F(BN) BEVY-Y9C

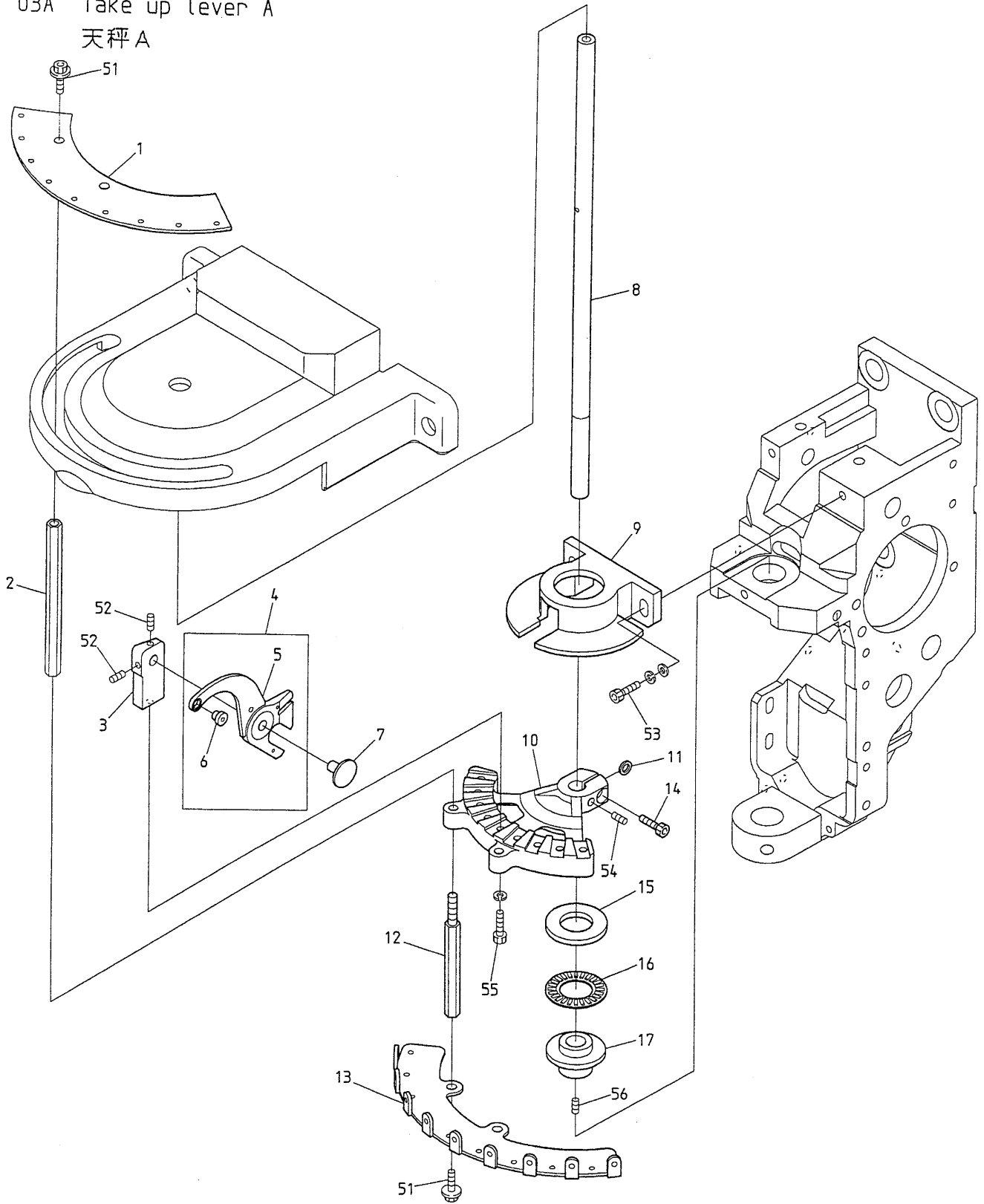
0 2 D Thread cut D
糸切りD

(H=Head Q'TY)

(H = 頭数)

| ITEM | LIST No. | DESCRIPTION | 部品名 | Q'TY | NOTE |
|------|-----------|--|------------------------------|-------|------|
| 1 | HT270030 | APRON ASSY, THREAD SUPPORT YN | 糸保持エプロンa'ssy(YN) | H x 1 | |
| 2 | HT270010 | PLATE, THREAD SUPPORT APRON FIXING YN | 糸保持エプロン取付ステー(YN) | H x 1 | |
| 3 | HT270001 | APRON, THREAD SUPPORT YN | 糸保持エプロン(YN) | H x 1 | |
| 4 | KF230582 | EYELET, THREAD SUPPORT APRON CERAMIC THREAD | 糸道ガイド(糸保持エプロン用) | H x 9 | |
| 5 | HT270040 | SHAFT, THREAD SUPPORT | 糸保持軸 | H x 9 | |
| 6 | KC270271 | SPRING, THREAD SUPPORT | 保持バネ | H x 9 | |
| 7 | HT270023 | CLAMP, THREAD SUPPORT | 糸保持クランプ | H x 9 | |
| 8 | HT270063 | SCREW, THREAD SUPPORT CLAMP SET YN | 糸保持クランプ止メネジ(YN) | H x 9 | |
| 9 | KC270292 | BLOCK, THREAD SUPPORT | 糸保持ブロック | H x 9 | |
| 10 | KF250220 | DISK, THREAD GUARD | 糸カケ皿 | H x 2 | |
| 11 | KF250241 | SPRING, THREAD GUARD DISK | 糸止メバネ | H x 2 | |
| 12 | KF250231 | DISK, THREAD GUARD SPRING PRESSER | 糸カケバネ押エ | H x 2 | |
| 13 | KF250250 | SCREW, THREAD GUARD SHAFT | 糸止メ軸ネジ | H x 2 | |
| 14 | RR270090 | ASSY, THREAD SUPPORT | 糸保持ASSY | H x 1 | |
| 15 | KL270070C | HOLDER, KEEP SOLENOID | ソレノイドステー | H x 1 | |
| 16 | KN272401 | STOPPER, ECCENTRIC | ストッパーエキセン | H x 1 | |
| 17 | KL270001 | BASE, FIXING | 取付ベース | H x 1 | |
| 18 | KL270520 | SPRING, RETURN | リターンスプリング | H x 1 | |
| 19 | KC270101 | BOLT, KEEP SOLENOID SHOULDER | ソレノイドピン | H x 1 | |
| 20 | A9056037 | SOLENOID(w/cover), KEEP TDS-K10SL | キーソレノイド TDS-K10SL(カバー付き) | H x 1 | |
| 21 | KL270060C | LEVER, KEEP SOLENOID CONNECTING | レバー連結プレート | H x 1 | |
| 22 | A9012127 | RING (chromate), E-TYPE SNAP 3MM | E型止メ輪 3クロメート | H x 3 | |
| 23 | KL270041 | BOLT, KEEP SOLENOID CONNECTING ARM STUD | レバー回転軸 | H x 1 | |
| 24 | HT270121 | SLIDER, THREAD SUPPORT | 糸保持スライダ | H x 1 | |
| 25 | KL270131C | BOLT, KEEP SOLENOID CONNECTING | レバー連結ピン | H x 1 | |
| 26 | HT270091 | ARM, KEEP SOLENOID CONNECTING | ソレノイドレバー | H x 1 | |
| 27 | HT230640 | BOLT, TAKE UP LEVER DRIVE SHAFT FIXING BLOCK CLAMPING | 駆動軸固定プレート締メボルト | H x 1 | |
| 28 | HT230830 | WASHER, DRIVING SHAFT FIXING BLOCK | 駆動軸固定プレート用ワッシャー | H x 1 | |
| 29 | HT230361 | BLOCK, TAKE UP LEVER DRIVE SHAFT FIXING | 駆動軸固定プレート | H x 1 | |
| 30 | HT230350 | PIN, PLASTIC THREAD SUPPORT HOLDER FIXING | 糸掛皿駆動ピン | H x 1 | |
| 51 | | BOLT (w/spring washer & plating), HEX. SOCKET HEAD CAP M3x6 | 六角穴付ボルト(メッキ) M3x6 (バネ座金付) | | |
| 52 | | BOLT (w/plain washer), HEX. SOCKET HEAD CAP M3x10 | 六角穴付ボルト M3x10(平座金付) | | |
| 53 | | BOLT, HEX. SOCKET HEAD CAP M3x6 | 六角穴付ボルト M3x6 | | |
| 54 | | SCREW (w/adhesion & stainless), CROSS RECESSED HEAD FLAT M4x8 | 十字穴付皿小ネジ M4x8(接着剤付) SUS | | |
| 55 | | SCREW (w/plain washer & stainless), CROSS RECESSED HEAD TRUSS M4x16 | 十字穴付トラス小ネジ M4x16(平座金付) SUS | | |
| 56 | | SCREW (w/nylon), HEX. SOCKET SET M4x8 | 六角穴付止メネジ M4x8(ナイロン付) | | |
| 57 | | NUT (chromate), HEX. M4 () | 六角ナット M4 1種 クロメート | | |
| 58 | | BOLT, HEX. SOCKET HEAD CAP M4x8 | 六角穴付ボルト M4x8 | | |
| 59 | | SCREW, CROSS RECESSED HEAD TRUSS M3x5 | セットネジ M3x5 | | |

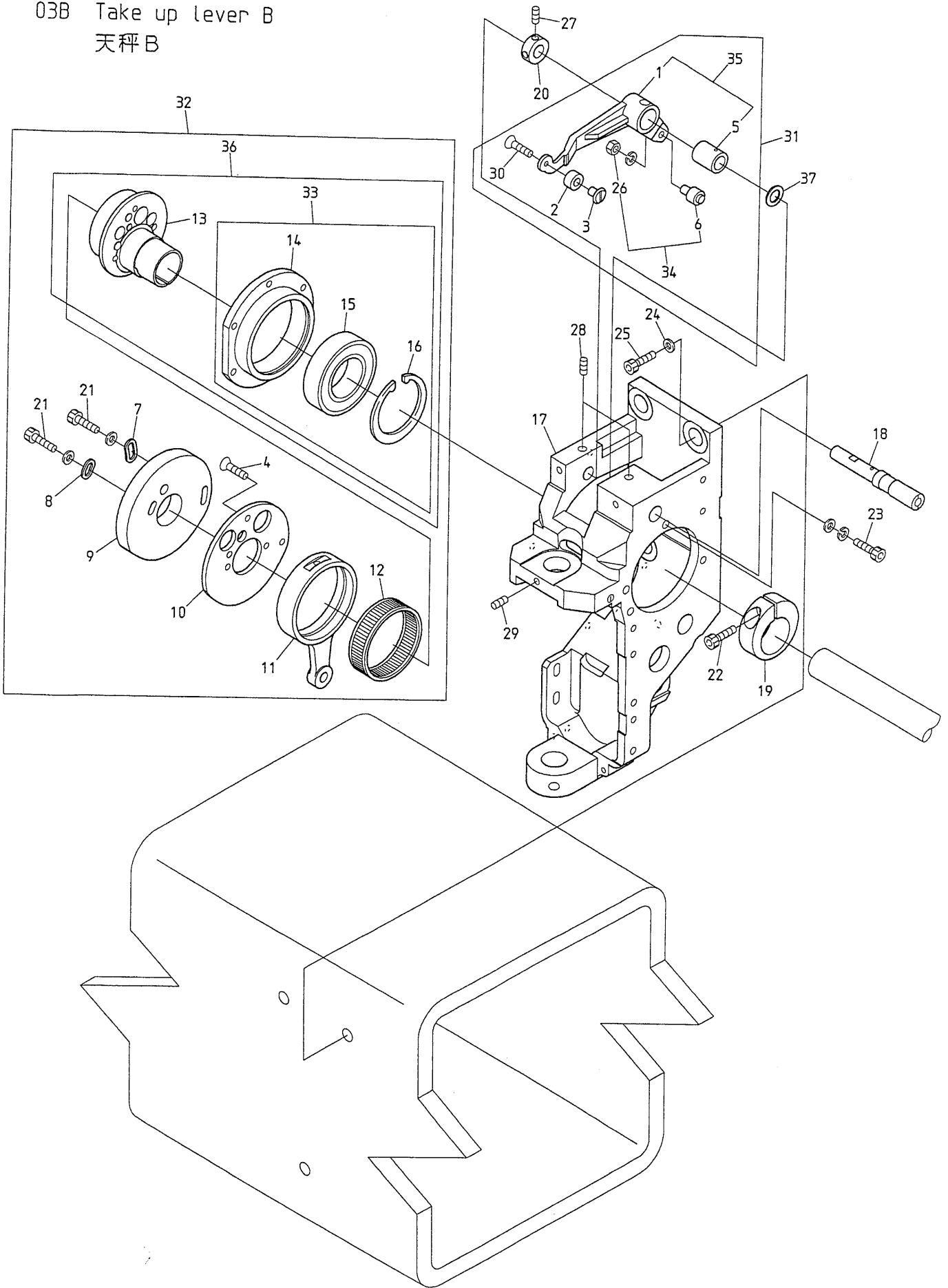
03A Take up lever A
 天秤A



BEDSH-YN/YS-BS BEDSH-SAY8-12 BEVS-Y9/Y7 BEVX-Y9M/Y7M BEVX-Y9M(BN)
 BEDRH-YN/YS-BS

BEVY-Y9 BEVY-Y9F BEVY-Y9M/Y7M BEVY-Y9(BN) BEVY-Y9F(BN) BEVY-Y9C

03B Take up lever B
 天秤B



BEVX-Y9M(BN) BEVY-Y9 BEVY-Y9F BEVY-Y9(BN) BEVY-Y9F(BN) BEVY-Y9C

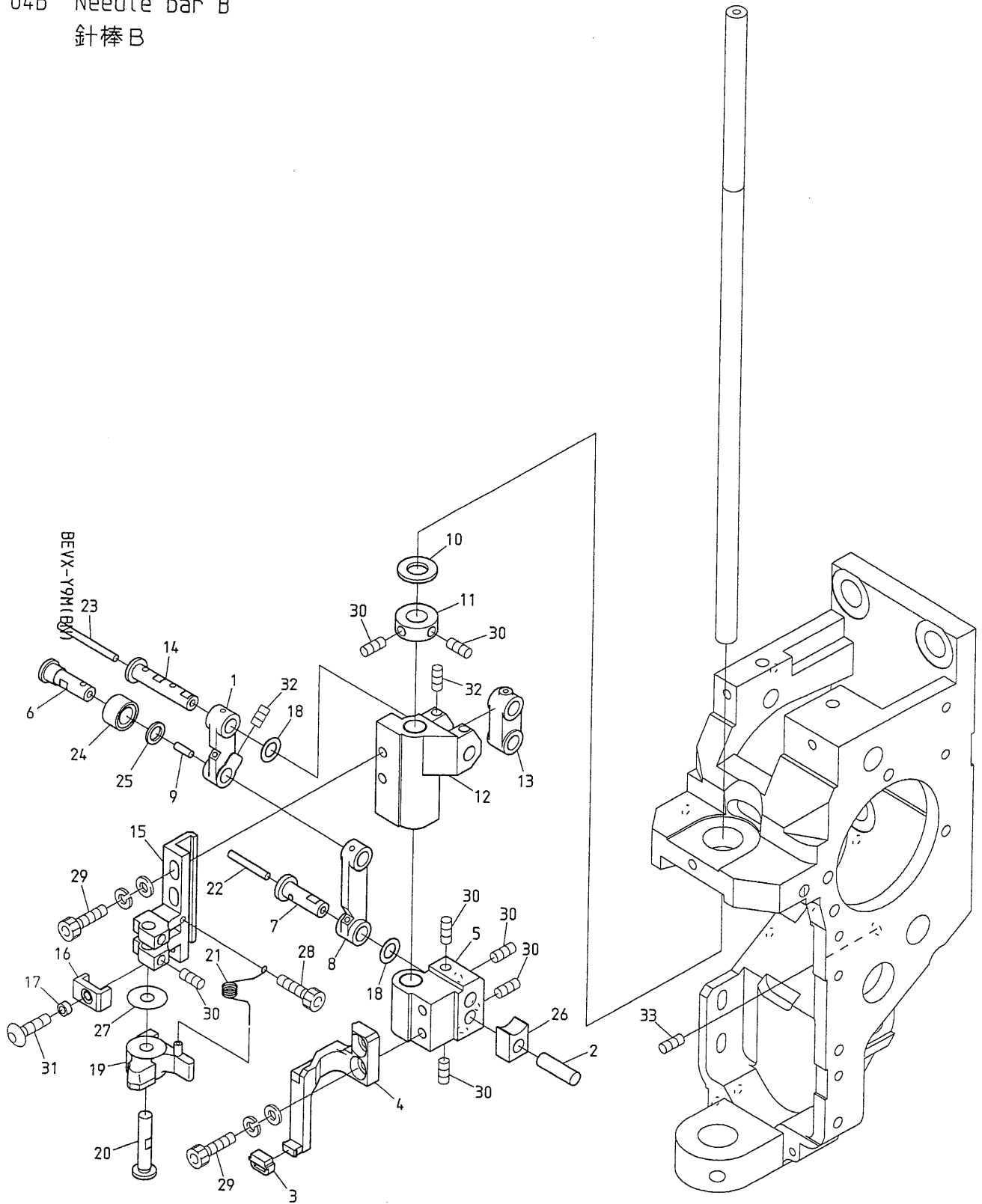
0 3 B Take up lever B
天秤B

(H=Head Q'TY)

(H = 頭数)

| ITEM | LIST No. | DESCRIPTION | 部品名 | Q'TY | NOTE |
|------|-------------------|---|-------------------------------|-------|------|
| 1 | R H 2 3 0 3 1 1 | LEVER, TAKE UP LEVER DRIVE | 天秤駆動レバー | H × 1 | |
| 2 | R R 2 3 0 0 0 0 C | ROLLER, TAKE UP LEVER DRIVE | 天秤駆動コロ | H × 1 | |
| 3 | H T 2 3 0 1 0 0 C | STUD, TAKE UP LEVER DRIVE LEVER YN | 天秤駆動コロ軸(YN) | H × 1 | |
| 4 | H B 2 3 0 6 2 0 | SCREW (w/carbonizing quenching), CROSS RECESSED HEAD FLAT M3x8 | 十字穴付皿小ネジ(浸炭焼入) M3×8 | H × 3 | |
| 5 | R H 2 3 0 8 1 0 | BUSHING, TAKE UP LEVER DRIVE | 天秤駆動レバーメタル | H × 1 | |
| 6 | K F 2 3 0 6 8 0 | CAM FOLLOWER, KRx4x7.9x15-1Px1 | カムフォロア(KR×4×7.9×15-1P×1) | H × 1 | |
| 7 | H B 2 3 0 0 8 0 C | WASHER 2, CAM | カム用ワッシャー(2) | H × 1 | |
| 8 | H B 2 3 0 0 7 0 C | WASHER 1, CAM | カム用ワッシャー(1) | H × 1 | |
| 9 | R R 2 3 0 2 6 0 | CAM H6S, TAKE UP LEVER 20MM | 天秤カム H6S(20) | H × 1 | |
| 10 | R H 2 3 0 3 0 0 | BASE, TAKE UP LEVER CAM | 天秤カムベース | H × 1 | |
| 11 | R H 2 3 0 2 8 0 | ROD, NEEDLE BAR CRANK | 針棒クランクロッド | H × 1 | |
| 12 | R H 2 3 0 2 7 1 | BEARING, NEEDLE ROLLER HL-8E-K42x46x12.8x2 | ニードルベアリング HL-8E-K42×46×12.8×2 | H × 1 | |
| 13 | R N 2 3 0 0 2 0 | CAM (w/eccentric 9.2), NEEDLE BAR DRIVE 20MM | 針棒駆動カム(偏心9.2 20) | H × 1 | |
| 14 | R N 2 3 0 0 4 0 | CASE, BEARING | ベアリングケース | H × 1 | |
| 15 | A 9 0 1 0 0 7 3 | BEARING, BALL 6005ZZ | ボールベアリング(6005ZZ) | H × 1 | |
| 16 | A 9 0 1 2 4 2 1 | RING(for hole), C-TYPE SNAP 47MM | C型止メ輪穴用 47 | H × 1 | |
| 17 | R N 2 1 0 0 1 2 | CASTING, SEWING HEAD | アーム | H × 1 | |
| 18 | R H 2 3 0 3 2 0 | PIN, TAKE UP LEVER DRIVE LEVER FIXING | 天秤駆動レバー固定ピン | H × 1 | |
| 19 | R H 2 3 0 3 3 0 | COLLAR, NEEDLE BAR DRIVE CAM SET | 針棒駆動カム締付カラー | H × 1 | |
| 20 | H B 2 3 0 8 0 0 | COLLAR, TAKE UP LEVER DRIVE LEVER SHAFT FIXING SET | 天秤駆動レバー固定ピンセットカラー | H × 1 | |
| 21 | | BOLT (w/plain washer), HEX. SOCKET HEAD CAP M4x8 | 六角穴付ボルト M4×8(平座金付) | | |
| 22 | | BOLT, HEX. SOCKET HEAD CAP M5x18 | 六角穴付ボルト M5×18 | | |
| 23 | | BOLT, HEX. SOCKET HEAD CAP M4x15 | 六角穴付ボルト M4×15 | | |
| 24 | | WASHER, CONICAL SPRING 8MM | 皿バネ座金 8 | | |
| 25 | | BOLT, HEX. SOCKET HEAD CAP M8x25 | 六角穴付ボルト M8×25 | | |
| 26 | | NUT (w/adhesion & spring washer), HEX. M4 | 六角ナット M4(接着剤付, バネ座金付) | | |
| 27 | | SCREW (w/adhesion), HEX. SOCKET SET M4x4 | 六角穴付止メネジ M4×4(接着剤付) | | |
| 28 | | SCREW, HEX. SOCKET SET M5x10 | 六角穴付止メネジ M5×10 | | |
| 29 | | SCREW, HEX. SOCKET SET M4x8 | 六角穴付止メネジ M4×8 | | |
| 30 | H B 2 3 0 6 5 0 | SCREW (w/adhesion), CROSS RECESSED HEAD FLAT | 十字穴付皿小ネジ(接着剤付) | H × 1 | |
| 31 | R R 2 3 0 0 4 0 | LEVER ASSY, TAKE UP LEVER DRIVE | 天秤駆動レバーa'ssy | H × 1 | |
| 32 | R R 2 3 0 2 7 0 | DRIVE ASSY (small bobbin), TAKE UP LEVER/NEEDLE BAR | 天秤・針棒駆動a'ssy(小釜) | H × 1 | |
| 33 | R N 2 3 0 0 3 0 | CASE ASSY, BEARING | ベアリングケースa'ssy | H × 1 | |
| 34 | K F 2 3 0 5 0 1 | ROLLER ASSY, TAKE UP LEVER | 天秤コロASSY | H × 1 | |
| 35 | R H 2 3 0 8 0 1 | LEVER (w/bushing), TAKE UP LEVER DRIVE | 天秤駆動レバー(メタル圧入) | H × 1 | |
| 36 | R N 2 3 0 0 1 0 | CAM ASSY, NEEDLE BAR DRIVE | 針棒駆動カムa'ssy | H × 1 | |
| 37 | R H 2 3 0 6 1 0 | WASHER, THRUST | スラストワッシャー | H × 1 | |
| | | | | | |
| | | | | | |
| | | | | | |

04B Needle bar B
針棒B



BEDSH-YN/YS-BS BEDSH-SAY8-12 BEVS-Y9/Y7 BEVX-Y9M/Y7M BEVX-Y9M(BN)
BEDRH-YN/YS-BS

BEVY-Y9 BEVY-Y9F BEVY-Y9M/Y7M BEVY-Y9(BN) BEVY-Y9F(BN) BEVY-Y9C

I N D E X

| LIST No. | SECTION | ITEM | LIST No. | SECTION | ITEM |
|-------------|---------|------|------------|---------|------|
| PB480040 | 10G | 1 | RH230801 | 03B | 35 |
| PB480050 | 10B | 2 | RH230810 | 03B | 5 |
| PB510011C | 10D | 15 | RJ140060 | 00 | 3 |
| PB510021C | 10G | 5 | RJ250160 | 08A | 3 |
| PB73001A60 | 10A | 15 | RJ450021 | 10D | 8 |
| PC240011 | 06 | 19 | RJ450021 | 10E | 9 |
| PC240020 | 06 | 20 | RJ450060 | 10D | 9 |
| PC240030 | 06 | 21 | RJ450060 | 10E | 10 |
| PC240040 | 06 | 27 | RJ480080 | 10E | 16 |
| PC240060 | 06 | 9 | RJ480080 | 10F | 14 |
| PC240070 | 06 | 15 | RJ48009B60 | 10C | 1 |
| PN510001 | 11A | 16 | RJ480110 | 10C | 8 |
| PR240000 | 06 | 26 | RJ480121 | 10C | 9 |
| RD230370 | 04A | 10 | RJ480152 | 10E | 7 |
| RD230480 | 04A | 2 | RJ480152 | 10F | 7 |
| RD230490 | 04A | 4 | RN210012 | 03B | 17 |
| RD240154 | 06 | 5 | RN230010 | 03B | 36 |
| RF250091 | 00 | 2 | RN230020 | 03B | 13 |
| RF450041 | 10D | 12 | RN230030 | 03B | 33 |
| RF450041 | 10E | 22 | RN230040 | 03B | 14 |
| RF480082 | 10E | 17 | RN230050 | 03A | 9 |
| RF480082 | 10F | 15 | RN240010 | 05 | 7 |
| RF480092 | 10E | 13 | RN240020 | 05 | 1 |
| RF480092 | 10F | 11 | RN240030 | 05 | 4 |
| RF480101 | 10E | 15 | RN320010 | 08A | 26 |
| RF480101 | 10F | 13 | RP210030 | 01A | 5 |
| RF480140 | 10E | 5 | RP310180 | 08B | 4 |
| RF480140 | 10F | 5 | RP330010 | 07B | 1 |
| RF480261 | 10E | 8 | RP510020 | 01B | 4 |
| RF480261 | 10F | 8 | RQ310000 | 08B | 8 |
| RF480360350 | 10E | 18 | RR230000C | 03B | 2 |
| RF480360350 | 10F | 16 | RR230011 | 04A | 17 |
| RH230271 | 03B | 12 | RR230020 | 04A | 26 |
| RH230280 | 03B | 11 | RR230031 | 04B | 4 |
| RH230300 | 03B | 10 | RR230040 | 03B | 31 |
| RH230311 | 03B | 1 | RR230051 | 04A | 1 |
| RH230320 | 03B | 18 | RR230080 | 04C | 4 |
| RH230330 | 03B | 19 | RR230090 | 04C | 2 |
| RH230410 | 04A | 5 | RR230130 | 04B | 6 |
| RH230440 | 04A | 3 | RR230140 | 04B | 25 |
| RH230450 | 04A | 13 | RR230150 | 04B | 24 |
| RH230460 | 04A | 15 | RR230190 | 05 | 10 |
| RH230540 | 04B | 19 | RR230260 | 03B | 9 |
| RH230550 | 04B | 27 | RR230270 | 03B | 32 |
| RH230610 | 03B | 37 | RR240280 | 06 | 1 |

I N D E X

| LIST No. | SECTION | ITEM | LIST No. | SECTION | ITEM |
|-------------|---------|------|--------------|---------|------|
| KC330170C | 07A | 2 | KL270101 | 02C | 5 |
| KC330180 | 02B | 7 | KL270110C | 02C | 8 |
| KC330280 | 07A | 1 | KL270120C | 02C | 7 |
| KC330310185 | 07B | 15 | KL270131C | 02C | 6 |
| KC330310240 | 07A | 20 | KL270131C | 02D | 25 |
| KC330410 | 02B | 13 | KL270260C | 02C | 9 |
| KC330410 | 04A | 25 | KL270400 | 02C | 13 |
| KC330410 | 04C | 14 | KL270450 | 02C | 12 |
| KC330410 | 07B | 13 | KL270520 | 02D | 18 |
| KC530230 | 11B | 12 | KN271720 | 02B | 17 |
| KC530240 | 11B | 13 | KN271750 | 02B | 9 |
| KF220530 | 01A | 17 | KN271782 | 02B | 8 |
| KF221020 | 01A | 18 | KN271800 | 02B | 10 |
| KF230501 | 03B | 34 | KN272350 | 02B | 5 |
| KF230582 | 02D | 4 | KN272401 | 02A | 10 |
| KF230620 | 04C | 18 | KN272401 | 02C | 4 |
| KF230620 | 07B | 21 | KN272401 | 02D | 16 |
| KF230630 | 07B | 19 | KN310010 | 08A | 1 |
| KF230640C | 02A | 7 | KN313671 | 08A | 12 |
| KF230640C | 04C | 15 | KN480420470 | 10A | 8 |
| KF230661 | 04C | 17 | KN511020 | 01B | 3 |
| KF230670 | 04C | 11 | KN540510 | 06 | 10 |
| KF230680 | 03B | 6 | KV230040 | 04A | 6 |
| KF232120 | 04A | 11 | KX510060 | 11B | 6 |
| KF250220 | 02D | 10 | LB220020 | 01A | 16 |
| KF250231 | 02D | 12 | MK230071 | 04C | 12 |
| KF250241 | 02D | 11 | MK230080C | 04C | 13 |
| KF250250 | 02D | 13 | PA720020 | 00 | 9 |
| KF250900 | 02A | 13 | PB120010H60 | 10A | 18 |
| KF530111 | 11B | 16 | PB140000 | 00 | 4 |
| KF530120 | 11B | 11 | PB140010 | 00 | 5 |
| KF530151 | 11B | 10 | PB140020 | 00 | 6 |
| KF530160 | 11B | 15 | PB140030 | 00 | 8 |
| KF530171 | 11B | 14 | PB250000 | 08A | 7 |
| KF710390 | 12 | 4 | PB250010 | 11B | 17 |
| KF730500 | 10A | 4 | PB310000 | 08A | 10 |
| KF730750 | 10A | 1 | PB310010 | 08A | 9 |
| KF730760 | 10A | 2 | PB370000A60 | 10A | 14 |
| KL230180 | 04C | 19 | PB480000H60 | 10B | 16 |
| KL270001 | 02D | 17 | PB480000V350 | 10E | 20 |
| KL270041 | 02D | 23 | PB480000V350 | 10F | 18 |
| KL270060C | 02D | 21 | PB480010 | 10E | 1 |
| KL270070C | 02D | 15 | PB480010 | 10F | 1 |
| KL270081 | 02C | 2 | PB480020 | 10A | 20 |
| KL270091 | 02C | 11 | PB480030 | 10A | 21 |

I N D E X

| LIST No. | SECTION | ITEM | LIST No. | SECTION | ITEM |
|-----------|---------|------|-----------|---------|------|
| HT230071 | 03A | 3 | HT240430C | 06 | 23 |
| HT230080 | 03A | 7 | HT240440C | 06 | 25 |
| HT230100C | 03B | 3 | HT240480 | 12 | 2 |
| HT230111 | 04A | 18 | HT240490 | 12 | 2 |
| HT230120 | 04A | 12 | HT240570 | 05 | 5 |
| HT230171 | 03A | 5 | HT240580 | 05 | 3 |
| HT230180C | 04A | 20 | HT270001 | 02D | 3 |
| HT230220 | 05 | 11 | HT270010 | 02D | 2 |
| HT230263 | 04A | 8 | HT270023 | 02D | 7 |
| HT230270 | 03A | 11 | HT270030 | 02D | 1 |
| HT230280C | 04B | 20 | HT270040 | 02D | 5 |
| HT230290 | 04B | 15 | HT270063 | 02D | 8 |
| HT230300 | 03A | 17 | HT270070C | 02C | 3 |
| HT230320C | 04B | 2 | HT270091 | 02D | 26 |
| HT230330 | 04A | 7 | HT270110C | 02C | 14 |
| HT230340 | 04B | 3 | HT270121 | 02D | 24 |
| HT230350 | 02D | 30 | HT330001 | 07A | 19 |
| HT230361 | 02D | 29 | HT710000 | 12 | 5 |
| HT230410C | 04C | 7 | HV230381 | 02A | 26 |
| HT230420C | 04C | 10 | HV250010 | 02A | 1 |
| HT230460 | 04B | 7 | HV270020C | 02A | 12 |
| HT230471 | 04B | 14 | HV270030C | 02A | 9 |
| HT230480 | 04B | 8 | HV270071 | 02A | 5 |
| HT230491 | 04B | 1 | HV270090C | 02A | 6 |
| HT230500 | 04B | 5 | HV270100C | 02A | 11 |
| HT230510 | 04B | 12 | HV270240 | 02B | 15 |
| HT230520 | 04B | 16 | HV270280 | 02B | 4 |
| HT230541 | 03A | 8 | HV270310 | 02A | 4 |
| HT230560 | 04B | 21 | HV270320 | 02A | 25 |
| HT230590 | 04C | 1 | HV270330 | 02A | 3 |
| HT230620C | 05 | 12 | HV270340 | 02A | 2 |
| HT230640 | 02D | 27 | HV270350 | 02B | 6 |
| HT230690 | 04A | 19 | HV270360 | 02B | 2 |
| HT230730 | 04B | 18 | HV270372 | 01A | 8 |
| HT230750 | 04B | 23 | HV270420 | 02A | 15 |
| HT230760 | 04B | 9 | HV270440 | 02A | 14 |
| HT230770 | 04B | 22 | HV310050 | 08A | 22 |
| HT230830 | 02D | 28 | HV480050 | 10B | 10 |
| HT230941 | 03A | 4 | HV480060 | 10D | 5 |
| HT230950 | 03A | 14 | HV480060 | 10G | 4 |
| HT240000 | 03A | 1 | HX310110 | 08B | 11 |
| HT240010 | 03A | 13 | KC270101 | 02D | 19 |
| HT240101 | 06 | 11 | KC270271 | 02D | 6 |
| HT240180 | 06 | 13 | KC270292 | 02D | 9 |
| HT240290 | 06 | 3 | KC271440 | 02B | 1 |

I N D E X

| LIST No. | SECTION | ITEM | LIST No. | SECTION | ITEM |
|------------------|---------|------|------------------|---------|------|
| HB 2 3 0 0 7 0 C | 0 3 B | 8 | HB 3 3 0 3 7 0 | 0 7 A | 25 |
| HB 2 3 0 0 8 0 C | 0 3 B | 7 | HB 3 3 0 3 8 0 | 0 7 A | 24 |
| HB 2 3 0 1 6 0 | 0 4 B | 11 | HB 7 1 0 0 1 0 | 1 2 | 8 |
| HB 2 3 0 1 8 0 C | 0 4 C | 16 | HB 7 1 0 0 2 0 | 1 2 | 9 |
| HB 2 3 0 1 9 0 C | 0 4 C | 20 | HH 2 2 0 5 7 0 | 0 1 A | 3 |
| HB 2 3 0 2 0 0 | 0 4 B | 13 | HH 3 3 0 6 7 0 C | 0 7 B | 12 |
| HB 2 3 0 2 2 0 C | 0 4 C | 9 | HH 3 3 0 7 6 0 | 0 2 B | 12 |
| HB 2 3 0 2 6 1 | 0 4 C | 8 | HH 3 3 0 7 7 0 | 0 2 B | 14 |
| HB 2 3 0 2 7 1 C | 0 4 C | 3 | HH 3 3 0 7 7 0 | 0 7 B | 14 |
| HB 2 3 0 2 8 1 C | 0 4 C | 6 | HH 4 8 1 9 3 2 | 1 0 D | 4 |
| HB 2 3 0 3 6 1 | 0 4 C | 5 | HH 4 8 1 9 3 2 | 1 0 G | 2 |
| HB 2 3 0 6 2 0 | 0 3 B | 4 | HH 4 8 1 9 7 0 | 0 1 B | 7 |
| HB 2 3 0 6 5 0 | 0 3 B | 30 | HH 4 8 1 9 7 0 | 1 0 B | 1 |
| HB 2 3 0 7 5 1 | 0 3 A | 6 | HH 4 8 1 9 7 0 | 1 0 E | 12 |
| HB 2 3 0 8 0 0 | 0 3 B | 20 | HH 4 8 1 9 7 0 | 1 0 F | 10 |
| HB 2 4 0 0 2 0 C | 0 5 | 13 | HH 4 8 1 9 8 0 | 1 0 B | 3 |
| HB 2 4 0 0 3 0 C | 0 5 | 14 | HH 4 8 1 9 8 0 | 1 0 E | 14 |
| HB 2 4 0 0 4 1 | 0 5 | 9 | HH 4 8 1 9 8 0 | 1 0 F | 12 |
| HB 2 4 0 1 1 0 | 0 5 | 2 | HH 4 8 1 9 9 1 | 1 0 B | 12 |
| HB 2 4 0 1 5 1 | 0 3 A | 2 | HH 4 8 2 1 1 0 | 1 0 B | 11 |
| HB 2 4 0 1 6 1 | 0 3 A | 12 | HH 4 8 2 1 1 0 | 1 0 E | 3 |
| HB 2 4 0 2 4 1 C | 0 6 | 24 | HH 4 8 2 1 1 0 | 1 0 F | 3 |
| HB 2 4 0 3 5 1 C | 0 5 | 8 | HP 2 2 0 6 8 0 C | 0 1 A | 15 |
| HB 3 1 0 0 7 0 | 0 8 A | 18 | HP 2 2 0 7 1 2 | 0 1 A | 11 |
| HB 3 1 0 2 6 0 | 0 8 A | 23 | HP 2 3 1 3 7 0 | 0 4 B | 26 |
| HB 3 2 0 0 7 0 | 0 8 B | 14 | HP 2 4 1 4 3 1 | 1 2 | 3 |
| HB 3 3 0 0 4 0 | 0 7 A | 23 | HP 3 2 1 0 8 2 | 0 1 A | 1 |
| HB 3 3 0 0 5 0 | 0 7 B | 20 | HP 3 2 1 0 9 0 C | 0 1 A | 2 |
| HB 3 3 0 0 6 0 C | 0 7 B | 11 | HP 3 2 1 1 0 0 | 0 8 B | 13 |
| HB 3 3 0 0 7 0 C | 0 7 B | 6 | HP 3 2 1 7 1 0 C | 0 1 B | 8 |
| HB 3 3 0 0 8 0 | 0 7 B | 22 | HP 3 2 1 7 2 0 C | 0 1 B | 1 |
| HB 3 3 0 0 9 0 | 0 7 B | 3 | HP 3 3 1 5 6 0 | 0 7 B | 17 |
| HB 3 3 0 1 0 1 | 0 7 B | 4 | HP 3 3 1 6 1 0 | 0 7 B | 16 |
| HB 3 3 0 1 2 0 C | 0 7 A | 18 | HP 3 3 1 6 6 0 | 0 7 A | 22 |
| HB 3 3 0 2 0 0 C | 0 7 A | 6 | HP 3 3 1 7 0 0 | 0 7 B | 2 |
| HB 3 3 0 2 1 1 C | 0 7 A | 5 | HP 3 3 1 9 2 4 | 0 1 B | 2 |
| HB 3 3 0 2 2 1 | 0 7 A | 4 | HP 3 3 1 9 5 0 C | 0 7 B | 5 |
| HB 3 3 0 2 6 0 | 0 7 A | 14 | HP 4 8 2 9 4 0 | 1 0 B | 8 |
| HB 3 3 0 2 8 0 | 0 7 A | 15 | HP 4 8 2 9 9 1 | 1 0 B | 5 |
| HB 3 3 0 2 9 0 | 0 7 A | 12 | HT 2 2 0 0 1 1 | 0 1 A | 13 |
| HB 3 3 0 3 0 1 | 0 7 A | 11 | HT 2 2 0 0 2 0 C | 0 1 A | 14 |
| HB 3 3 0 3 1 0 | 0 7 A | 16 | HT 2 2 0 0 4 3 | 0 1 A | 10 |
| HB 3 3 0 3 2 0 | 0 7 A | 9 | HT 2 2 0 0 6 1 | 0 1 A | 12 |
| HB 3 3 0 3 3 0 C | 0 7 A | 8 | HT 2 3 0 0 2 0 | 0 3 A | 10 |
| HB 3 3 0 3 5 0 | 0 7 B | 7 | HT 2 3 0 0 6 4 | 0 4 A | 9 |

I N D E X

| LIST No. | SECTION | ITEM | LIST No. | SECTION | ITEM |
|-------------------------|---------|------|---------------------|---------|------|
| 1GSK12350350DH1 | 1 0 A | 3 | A 9 0 1 4 1 6 0 | 1 0 A | 12 |
| 1SPL12350350BNO | 0 8 A | 28 | A 9 0 1 9 0 4 6 | 0 7 A | 13 |
| 1 T S K 1 2 3 5 0 0 | 1 1 B | 2 | A 9 0 2 0 1 3 1 | 0 8 A | 17 |
| 1 U S K 1 2 3 5 0 1 | 1 1 B | 1 | A 9 0 2 0 1 8 8 | 0 8 A | 11 |
| 2 C S K 0 9 1 2 3 5 0 A | 1 2 | 1 | A 9 0 5 2 0 2 8 | 0 2 C | 10 |
| 3APB12350350DH1 | 0 0 | 7 | A 9 0 5 2 0 3 0 | 1 0 D | 10 |
| 3CPB12350350DHO | 0 0 | 1 | A 9 0 5 2 0 3 0 | 1 0 E | 11 |
| A 9 0 1 0 0 0 1 | 0 7 A | 7 | A 9 0 5 2 0 3 1 | 1 0 D | 14 |
| A 9 0 1 0 0 0 3 | 0 8 B | 7 | A 9 0 5 2 0 3 1 | 1 0 E | 24 |
| A 9 0 1 0 0 6 4 | 0 2 B | 8 | A 9 0 5 2 0 7 8 | 0 2 B | 3 |
| A 9 0 1 0 0 7 3 | 0 3 B | 15 | A 9 0 5 4 0 5 4 | 1 1 A | 7 |
| A 9 0 1 0 1 0 0 | 0 1 B | 5 | A 9 0 5 6 0 2 9 | 0 7 B | 9 |
| A 9 0 1 0 1 0 1 | 0 1 B | 6 | A 9 0 5 6 0 3 7 | 0 2 D | 20 |
| A 9 0 1 0 1 0 8 | 0 7 A | 10 | A 9 0 5 6 0 4 6 | 0 5 | 6 |
| A 9 0 1 1 0 2 1 | 0 3 A | 16 | A 9 0 5 6 0 4 7 | 0 2 A | 8 |
| A 9 0 1 1 0 2 1 | 0 4 A | 23 | A 9 0 5 6 0 4 8 | 0 2 C | 1 |
| A 9 0 1 1 0 2 2 | 0 4 A | 24 | A 9 0 6 5 1 0 3 | 0 7 A | 26 |
| A 9 0 1 1 0 2 3 | 0 4 A | 22 | A 9 0 6 5 1 1 3 | 0 2 B | 19 |
| A 9 0 1 1 0 4 0 | 0 8 A | 20 | A 9 0 6 5 1 1 3 | 0 7 A | 17 |
| A 9 0 1 1 1 1 1 | 0 1 A | 4 | A 9 0 6 5 1 1 4 | 0 2 B | 18 |
| A 9 0 1 1 1 5 2 | 0 3 A | 15 | A 9 0 6 5 1 1 9 | 0 8 A | 2 |
| A 9 0 1 1 2 5 4 | 0 8 B | 10 | A 9 0 6 8 0 5 2 | 1 1 B | 7 |
| A 9 0 1 1 2 5 5 | 0 8 B | 2 | E A Y 0 9 0 A 2 | 1 1 A | 10 |
| A 9 0 1 2 0 0 1 | 0 7 A | 21 | E A Y 0 9 0 A 3 | 1 1 A | 17 |
| A 9 0 1 2 0 0 2 | 0 2 B | 11 | E A Y 0 9 1 A 1 | 1 1 A | 1 |
| A 9 0 1 2 0 0 2 | 0 7 B | 18 | E A Y 0 9 1 A 3 | 1 1 A | 17 |
| A 9 0 1 2 0 5 2 | 1 0 E | 6 | E B Y 0 1 1 2 0 | 0 7 A | 3 |
| A 9 0 1 2 0 5 2 | 1 0 F | 6 | E B Y 0 1 6 6 3 | 1 1 B | 5 |
| A 9 0 1 2 0 5 3 | 0 4 A | 21 | E B Y 0 2 4 4 0 | 1 1 A | 8 |
| A 9 0 1 2 0 5 5 | 0 7 B | 23 | E B Y 0 2 5 8 0 | 0 6 | 14 |
| A 9 0 1 2 0 6 3 | 0 8 B | 6 | E B Y 0 2 8 7 0 | 0 6 | 17 |
| A 9 0 1 2 0 6 6 | 0 8 B | 9 | E B Y 0 3 0 1 0 | 1 1 A | 2 |
| A 9 0 1 2 1 2 7 | 0 2 D | 22 | E B Y 0 3 0 2 0 | 1 1 A | 9 |
| A 9 0 1 2 1 4 3 | 0 7 B | 10 | E B Y 0 3 0 3 0 | 1 1 A | 6 |
| A 9 0 1 2 1 6 4 | 0 4 B | 10 | E B Y 0 3 0 4 0 | 1 1 A | 12 |
| A 9 0 1 2 2 1 9 | 0 8 A | 27 | E B Y 0 3 0 5 0 | 1 1 A | 13 |
| A 9 0 1 2 3 1 3 | 0 1 A | 9 | E B Y 0 3 0 6 0 | 1 1 A | 15 |
| A 9 0 1 2 3 6 8 | 0 4 B | 17 | E B Y 0 3 0 7 0 | 1 1 A | 11 |
| A 9 0 1 2 4 2 1 | 0 3 B | 16 | E D Y 0 0 2 3 0 | 1 1 A | 4 |
| A 9 0 1 2 4 2 6 | 1 0 C | 11 | E D Y 0 0 2 4 0 | 1 1 A | 3 |
| A 9 0 1 2 4 2 8 | 1 0 A | 6 | E D Y 0 0 2 5 0 | 1 1 A | 5 |
| A 9 0 1 2 9 5 2 | 1 0 B | 9 | E P 5 8 0 0 0 0 C | 1 2 | 7 |
| A 9 0 1 3 0 6 6 | 0 2 C | 16 | F A 9 0 4 1 4 7 | 1 1 A | 14 |
| A 9 0 1 3 0 6 9 | 0 8 A | 25 | F A 9 9 9 0 5 2 | 0 6 | 28 |
| A 9 0 1 4 0 5 5 | 0 4 A | 16 | F N 0 7 0 0 1 1 R G | 0 4 A | 14 |

- 07A Color change A
色換え A
- 07B Color change B
色換え B
- 08A Drive A
駆動 A
- 08B Drive B
駆動 B
- 10A Pantograph drive A
枠駆動 A
- 10B Pantograph drive B
枠駆動 B
- 10C Pantograph drive C
枠駆動 C
- 10D Pantograph drive D
枠駆動 D
- 10E Pantograph drive E
枠駆動 E
- 10F Pantograph drive F
枠駆動 F
- 10G Pantograph drive G
枠駆動 G
- 11A Control A
制御 A
- 11B Control B
制御 B
- 12 Accessories
付属品

INDEX
索引

BEVY - Y9F (BN)

HIGH SPEED AUTOMATIC EMBROIDERY MACHINE

高速自動刺繍マシン

C O N T E N T S

目 次

Machine layout (BEVY-Y9F(BN))

配置図 (BEVY-Y9F(BN))

- 00 Table・Frame
テーブル・フレーム
- 01A Head・Bed A
ヘッド・ベッドA
- 01B Head・Bed B
ヘッド・ベッドB
- 02A Thread cut A
糸切りA
- 02B Thread cut B
糸切りB
- 02C Thread cut C
糸切りC
- 02D Thread cut D
糸切りD
- 03A Take up lever A
天秤A
- 03B Take up lever B
天秤B
- 04A Needle bar A
針棒A
- 04B Needle bar B
針棒B
- 04C Needle bar C
針棒C
- 05 Jump
ジャンプ
- 06 Thread guide
糸道

1 0 E Pantograph drive E
 枠駆動 E

| ITEM | LIST No. | DESCRIPTION | 部品名 | Q'TY | NOTE |
|------|-----------------------|--|--------------------------|------|------|
| 1 | P B 4 8 0 0 1 0 | BRACKET(FRONT), PULLEY W50 CH | ブリーブラケット(前-50/ハバ用) CH | 1 | |
| 2 | S K 4 8 0 2 5 1 | SHAFT, DRIVEN PULLEY W50 | 従動ブリーシャフト(50幅用) | 1 | |
| 3 | H H 4 8 2 1 1 0 | CAP, PULLEY SHAFT BOLT | ブリーシャフトボルトキャップ | 1 | |
| 4 | R R 4 8 0 0 8 0 | BELT, TIMING B500-S5M | フリースパンベルト(B500-S5M) | 1 | |
| 5 | R F 4 8 0 1 4 0 | PULLEY (FRONT), PANTOGRAPH DRIVE W50 | 枠駆動ブリー 前(W=50) | 1 | |
| 6 | A 9 0 1 2 0 5 2 | RING E-TYPE, SNAP 10MM | E型止メ輪(呼び径10) | 1 | |
| 7 | R J 4 8 0 1 5 2 | BASE, V ROLLER | Vローラーベース | 1 | |
| 8 | R F 4 8 0 2 6 1 | RACK, TIMING BELT HOLD W50 | タイミングベルト押エラック(W=50) | 2 | |
| 9 | R J 4 5 0 0 2 1 | BRACKET ASSY, MAGNET FIXING | マグネット取付ブラケットASSY | 1 | |
| 10 | R J 4 5 0 0 6 0 | BRACKET, MAGNET FIXING | マグネット取付ブラケット | 1 | |
| 11 | A 9 0 5 2 0 3 0 | MAGNET, M-102A-02 | マグネット M-102A-02 | 1 | |
| 12 | H H 4 8 1 9 7 0 | CASE, CONNECTING SHAFT BEARING | バルスモーター連結シャフトカラー | 2 | |
| 13 | R F 4 8 0 0 9 2 | BASE ASSY (LEFT), PANTOGRAPH DRIVE PULLEY FIXING | 枠駆動ブリー取付台ASSY(L) | 1 | |
| 14 | H H 4 8 1 9 8 0 | COLLAR, SET 19MM | 19割リクランプ | 1 | |
| 15 | R F 4 8 0 1 0 1 | PULLEY (REAR), PANTOGRAPH DRIVE W50 | 枠駆動ブリー 後(W=50) | 1 | |
| 16 | R J 4 8 0 0 8 0 | COLLAR, PANTOGRAPH DRIVE PULLEY LOCATING | 枠駆動ブリー位置決メカラー | 1 | |
| 17 | R F 4 8 0 0 8 2 | BASE ASSY (RIGHT), PANTOGRAPH DRIVE PULLEY FIXING | 枠駆動ブリー取付台 ASSY(R) | 1 | |
| 18 | R F 4 8 0 3 6 0 3 5 0 | GUIDE WAY (V SIDE), LINEAR MOTION ST350,L460 | V側LMガイド(350ST,460L) | 1 | |
| 19 | S H 4 8 0 8 1 0 | STAY, PULLEY TENSION SUPPORT | ブリーテンション補助ステー | 1 | |
| 20 | P B 4 8 0 0 0 V 3 5 0 | BASE, V GUIDE RAIL ST350 | V案内レール土台(C12,350ST) CH | 1 | |
| 21 | R R 4 5 0 0 0 0 | SENSOR ASSY, ORIGIN SENSOR | 原点センサーASSY | 1 | |
| 22 | R F 4 5 0 0 4 1 | NUT, ORIGIN POINT SENSOR FIXING | 原点センサー取付ナット | 1 | |
| 23 | R R 4 5 0 0 1 0 | BRACKET (w/bracket), ORIGIN SENSOR | 原点センサーブラケット | 1 | |
| 24 | A 9 0 5 2 0 3 1 | SWITCH, MAGNETIC PROXIMITY MH-601AM | 磁気記憶近接スイッチ(MH-601AM) | 1 | |
| 25 | S T 4 8 0 0 4 0 | BRACKET (FRONT), RAIL BASE FIXING | レール土台ブラケット(前) CH | 4 | |
| 51 | | BOLT (w/plain & spring washers), HEX. SOCKET HEAD CAP M6x20 | 六角穴付ボルト M6×20(平座金 バネ座金付) | | |
| 52 | | NUT, HEX. M8 | 六角ナット M8 | | |
| 53 | | BOLT, HEX. SOCKET HEAD CAP M4x30 | 六角ボルト M4×30 | | |
| 54 | | BOLT, HEX. SOCKET HEAD CAP M4x35 | 六角ボルト M4×35 | | |
| 55 | | NUT, HEX. M4 | 六角ナット M4 | | |
| 56 | | BOLT, HEX. SOCKET HEAD CAP M3x16 | 六角穴付ボルト M3×16 | | |
| 57 | | BOLT, HEX. SOCKET HEAD CAP M3x8 | 六角穴付ボルト M3×8 | | |
| 58 | | BOLT (w/spring washer), HEX. SOCKET HEAD CAP M4x12 | 六角穴付ボルト M4×12(バネ座金付) | | |
| 59 | | NUT, HEX. M6 | 六角ナット M6 | | |
| 60 | | BOLT, HEX. SOCKET HEAD CAP M6x20 | 六角穴付ボルト M6×20 | | |
| 61 | | SCREW, CROSS RECESSED HEAD TRUSS M3x6 | 十字穴付トラス小ネジ M3×6 | | |
| 62 | | BOLT (w/plain & spring washers), HEX. SOCKET HEAD CAP M6x25 | 六角穴付ボルト M6×25(平座金 バネ座金付) | | |
| 63 | | SCREW, HEX. SOCKET SET M5x8 | 六角穴付止メネジ M5×8 | | |
| 64 | | BOLT, HEX. SOCKET HEAD CAP M5x18 | 六角穴付ボルト M5×18 | | |
| 65 | | BOLT (w/spring washer), HEX. SOCKET HEAD CAP M4x10 | 六角穴付ボルト M4×10(バネ座金付) | | |
| 66 | | BOLT, HEX. SOCKET HEAD CAP M6x6 | 六角穴付ボルト M6×6 | | |
| 67 | | BOLT (w/plain & spring washers), HEX. SOCKET HEAD CAP M3x8 | 六角穴付ボルト M3×8(平座金 バネ座金付) | | |
| 68 | | SCREW (SUS), CROSS RECESSED HEAD TRUSS M3x12 | 十字穴付トラス小ネジ M3×12(SUS) | | |
| 69 | | BOLT (w/plain & spring washers), HEX. SOCKET HEAD CAP M8x22 | 六角穴付ボルト M8×22(平座金 バネ座金付) | | |

0 8 A Drive A
 駆動A

(Depends on machine type)

(は機種によって異なる)

| ITEM | L I S T No. | D E S C R I P T I O N 部品名 | Q'TY | NOTE |
|------|-----------------|---|------|------|
| 1 | K N 3 1 0 0 1 0 | PULLEY, MOTOR 48.6MM モータープーリー 48.6 | 1 | |
| 2 | A 9 0 6 5 1 1 9 | MOTOR, 1K-FBKK8-4P-0.55Kw,CCC 駆動モーター 1K-FBKK8-4P-0.55Kw,CCC | 1 | |
| 3 | R J 2 5 0 1 6 0 | COVER, MOTOR FAN モーターファンカバー(1馬力用) | 1 | |
| 4 | R R 3 1 0 0 2 0 | PLATE, MOTOR BASE DS モーターベースプレート(DS) | 1 | |
| 5 | R R 3 1 0 0 1 0 | BASE, MOTOR DS モーターベース(DS) | 1 | |
| 6 | S S 2 5 0 0 2 0 | COVER, MOTOR PULLEY モータープーリーカバー | 1 | |
| 7 | P B 2 5 0 0 0 0 | COVER(L-UPPER), BRIDGE ブリッジカバー(L側-上) CH | 1 | |
| 8 | S S 3 1 0 0 4 0 | BRACKET, BELT COVER ベルトカバーブラケット | 1 | |
| 9 | P B 3 1 0 0 1 0 | COVER (BACK), BELT ベルトカバー(後) CH | 1 | |
| 10 | P B 3 1 0 0 0 0 | COVER (FRONT), BELT ベルトカバー(前) CH | 1 | |
| 11 | A 9 0 2 0 1 8 8 | BELT, V RIBBED 4PK1150 リブスターベルト(4PK-1150) | 1 | |
| 12 | K N 3 1 3 6 7 1 | LABEL A, ANGLE 回転角ラベル(A) | 1 | |
| 13 | R R 3 1 0 0 0 0 | PULLEY, UPPER SHAFT DRIVE 152.2MM DS 駆動プーリー 152.2(DS) | 1 | |
| 14 | S S 3 1 0 0 5 1 | STING, ANGLE POSITION 角度指示針 | 1 | |
| 15 | R R 3 1 0 0 9 0 | BEARING UNIT, UCFL305-20M,SC 軸受ユニット(UCFL305-20M,SC) | 1 | |
| 16 | S N 3 1 0 1 6 0 | BOX (small bobbin), GEAR ギアボックス(小蓋) | 1 | |
| 17 | A 9 0 2 0 1 3 1 | BELT, TIMING 250S8M760 タイミングベルト(250S8M760) | 1 | |
| 18 | H B 3 1 0 0 7 0 | PULLEY, TIMING 8M-23 タイミングプーリー(8M-23) | 1 | |
| 19 | S N 3 1 0 1 2 0 | STAY, GEAR BOX ギアボックスステー | 1 | |
| 20 | A 9 0 1 1 0 4 0 | BEARING, RB-204 軸受ケ RB-204(FYH) | 1 | |
| 21 | R R 2 5 0 2 7 0 | COVER, BEARING UNIT 軸受ユニットカバー | 1 | |
| 22 | H V 3 1 0 0 5 0 | KEY (w/one end round), SHAFT 6x6x35 キー(片丸) 6×6×35 | 1 | |
| 23 | H B 3 1 0 2 6 0 | KEY (w/both ends round), SHAFT 6x6x30 キー両丸 6×6×30 | 1 | |
| 24 | S S 3 1 0 0 1 0 | SHAFT (GEAR BOX), UPPER 20MM 20上軸(ギアボックス) | 1 | |
| 25 | A 9 0 1 3 0 6 9 | COUPLING, N-20-20 Nカップリング N-20-20 | 2 | |
| 26 | R N 3 2 0 0 1 0 | SHAFT, UPPER SHAFT CONNECTING 20x3700 上軸連結シャフト(20×3700) | 2 | |
| 27 | A 9 0 1 2 2 1 9 | SPACER, ROLL BUSH 8x7 スペーサー(巻キブッシュ) 8×7 | 2 6 | |
| 28 | 1SPL12350350BNO | COVER, SHAFT VY-Y912F 350/350 シャフトモールド&カバー(VY-Y912F 350/350) C | 1 | |
| 51 | | BOLT, HEX. SOCKET HEAD CAP M6x15 六角穴付ボルト M6×15 | | |
| 52 | | BOLT, HEX. SOCKET HEAD CAP M6x18 六角穴付ボルト M6×18 | | |
| 53 | | BOLT, HEX. SOCKET HEAD CAP M8x25 六角穴付ボルト M8×25 | | |
| 54 | | BOLT, HEX. SOCKET HEAD CAP M6x65 六角穴付ボルト M6×65 | | |
| 55 | | BOLT (w/plain washer), HEX. SOCKET HEAD CAP M6x20 六角穴付ボルト M6×20(平座金付) | | |
| 56 | | NUT (w/plain washer), HEX. M6 六角ナット M6(平座金付) | | |
| 57 | | BOLT, HEX. SOCKET HEAD CAP M8x35 六角穴付ボルト M8×35 | | |
| 58 | | SCREW, CROSS RECESSED HEAD TRUSS M6x8 十字穴付トラスネジ M6×8 | | |
| 59 | | SCREW, CROSS RECESSED HEAD TRUSS M6x20 十字穴付トラスネジ M6×20 | | |
| 60 | | SCREW, CROSS RECESSED HEAD TRUSS M5x8 十字穴付トラス小ネジ M5×8 | | |
| 61 | | SCREW, CROSS RECESSED HEAD TRUSS M4x8 十字穴付トラスネジ M4×8 | | |
| 62 | | BOLT (w/spring washer), HEX. SOCKET HEAD CAP M10x50 六角穴付ボルト M10×50(バネ座金付) | | |
| 63 | | SCREW, CROSS RECESSED HEAD TRUSS M4x12 十字穴付トラスネジ M4×12 | | |

07B Color change B
色換えB

| ITEM | LIST No. | DESCRIPTION | 部品名 | Q'TY | NOTE |
|------|-----------------------|--|--|------|------|
| 1 | R P 3 3 0 0 1 0 | COVER (TOP), COLOR CHANGE CONTROL BOX | 旋回コントロールボックス上面カバー | 1 | |
| 2 | H P 3 3 1 7 0 0 | BOLT, LOCK DETECTION CONNECTING PLATE SHOULDER | ロック検出プレート駆動プレートピン | 2 | |
| 3 | H B 3 3 0 0 9 0 | PLATE, COLOR CHANGE LOCK DETECTION CONNECTING | ロック検出プレート駆動プレート | 1 | |
| 4 | H B 3 3 0 1 0 1 | LEVER, COLOR CHANGE LOCK DETECTION | ロック検出レバー | 1 | |
| 5 | H P 3 3 1 9 5 0 C | COLLAR, LOCK DETECTION LEVER | ロック検出プレート回転軸 | 1 | |
| 6 | H B 3 3 0 0 7 0 C | LEVER, COLOR CHANGE LOCK DETECTION DRIVE | ロック検出プレート駆動レバー | 1 | |
| 7 | H B 3 3 0 3 5 0 | BOX, COLOR CHANGE CONTROL | 旋回コントロールBOX | 1 | |
| 8 | R R 3 3 0 0 1 0 | COVER (FRONT), COLOR CHANGE CONTROL BOX DS | 旋回コントロールBOX正面カバー (DS) | 1 | |
| 9 | A 9 0 5 6 0 2 9 | SOLENOID, ROTARY 6SR25-27x3x4x9 M960376R(ETL) | ロータリーソレノイド 6SR25-27×3×4×9 M960376R(ETL) | 1 | |
| 10 | A 9 0 1 2 1 4 3 | PIN, ROLL 6x12 | ロールピン 6×12 | 1 | |
| 11 | H B 3 3 0 0 6 0 C | LEVER, COLOR CHANGE LOCK SOLENOID DRIVE | ロックソレノイドレバー | 1 | |
| 12 | H H 3 3 0 6 7 0 C | STOPPER, ECCENTRIC | ストッパーエキセン | 1 | |
| 13 | K C 3 3 0 4 1 0 | ROD, CONNECTING L2000 | ロック連結ロッド L=2000 | 1 | |
| 14 | H H 3 3 0 7 7 0 | NUT, JOINT L35 | 六角連結棒 | 1 | |
| 15 | K C 3 3 0 3 1 0 1 8 5 | ROD, TURRET PLATE CONNECTING L135 | 回転板連結ロッド(L=135) | 1 | |
| 16 | H P 3 3 1 6 1 0 | POST, HEXAGONAL | 六角連結棒 | 1 | |
| 17 | H P 3 3 1 5 6 0 | PIN, LOCK LEVER | ロックレバーピン | 1 | |
| 18 | A 9 0 1 2 0 0 2 | JOINT, UNI-BALL PR-6 | ユニボールジョイント(PR-6) | 1 | |
| 19 | K F 2 3 0 6 3 0 | SHAFT, COLOR CHANGE TURNING LOCK LEVER | ロックレバーシャフト | 1 | |
| 20 | H B 3 3 0 0 5 0 | LEVER (w/roller), COLOR CHANGE TURNING LOCK | 旋回ロックレバー(コロツキ) | 1 | |
| 21 | K F 2 3 0 6 2 0 | ROLLER, LOCK LEVER | ロックレバーコロ | 1 | |
| 22 | H B 3 3 0 0 8 0 | LEVER, COLOR CHANGE LOCK SOLENOID LEVER CONNECTING | リンクロックレバー | 1 | |
| 23 | A 9 0 1 2 0 5 5 | RING, E-TYPE SNAP 4MM | Eリング 呼び4 | 1 | |
| 51 | | SCREW, CROSS RECESSED HEAD TRUSS M4x8 | 十字穴付トラス小ネジ M4×8 | | |
| 52 | | BOLT, HEX. SOCKET HEAD CAP M4x30 | 六角穴付ボルト M4×30 | | |
| 53 | | NUT, HEX. M4 | 六角ナット M4 | | |
| 54 | | BOLT, HEX. SOCKET HEAD CAP M5x15 | 六角穴付ボルト M5×15 | | |
| 55 | | NUT, FLANGED M5 | フランジナット M5 | | |
| 56 | | NUT, HEX. M8 | 六角ナット M8 | | |
| 57 | | BOLT (w/plain & spring washers), HEX. SOCKET HEAD CAP M6x25 | 六角穴付ボルト M6×25(平座金 バネ座金付) | | |
| 58 | | BOLT, HEX. SOCKET HEAD CAP M4x25 | 六角穴付ボルト M4×25 | | |
| 59 | | NUT, HEX. M5 | 六角ナット M5 | | |
| 60 | | NUT (w/counter clockwise), HEX. M5 | 六角ナット M5(左ネジ) | | |
| 61 | | W/SPRING WASHER M6 | バネ座金 M6 | | |
| 62 | | BOLT, HEX. SOCKET HEAD CAP M5x10 | 六角穴付ボルト M5×10 | | |
| | | | | | |
| | | | | | |
| | | | | | |
| | | | | | |
| | | | | | |

07A Color change A
色換えA

| ITEM | LIST No. | DESCRIPTION | 部品名 | Q'TY | NOTE |
|------|-----------------------|--|--------------------------|------|------|
| 1 | K C 3 3 0 2 8 0 | LEVER, NEEDLE BAR DETECTION | 針棒検出プレート | 1 | |
| 2 | K C 3 3 0 1 7 0 C | COLLAR, NEEDLE BAR DETECTION LEVER SET | 検出プレートカラー | 1 | |
| 3 | E B Y 0 1 1 2 0 | CARD (PCB), NEEDLE 3760 | 3760 ニードルポジションナー | 1 | |
| 4 | H B 3 3 0 2 2 1 | COLLAR, SET | セットカラー | 1 | |
| 5 | H B 3 3 0 2 1 1 C | SPACER, NEEDLE POSITIONING CARD (PCB) | ニードル基板スペーサー | 3 | |
| 6 | H B 3 3 0 2 0 0 C | WASHER, BEARING RETAINING | ベアリング押工(2) | 1 | |
| 7 | A 9 0 1 0 0 0 1 | BEARING, BALL 6000ZZ | ベアリング(6000ZZ) | 2 | |
| 8 | H B 3 3 0 3 3 0 C | GEAR, BEVEL | マイタベベルギヤー | 2 | |
| 9 | H B 3 3 0 3 2 0 | BASE, COLOR CHANGE TURNING DRIVE | 旋回駆動ベース | 1 | |
| 10 | A 9 0 1 0 1 0 8 | BEARING, BALL 6800ZZ | ベアリング(6800ZZ) | 2 | |
| 11 | H B 3 3 0 3 0 1 | CASE, BEARING | ハウジング | 1 | |
| 12 | H B 3 3 0 2 9 0 | SHAFT, COLOR CHANGE MOTOR CONNECTING | シャフト | 1 | |
| 13 | A 9 0 1 9 0 4 6 | PIN, NEEDLE ROLLER 4x17.8 | ニードルローラー(4x17.8) | 2 | |
| 14 | H B 3 3 0 4 1 0 | COUPLING | カップリング | 1 | |
| 15 | H B 3 3 0 2 8 0 | PIN, LOCATING | ピン | 1 | |
| 16 | H B 3 3 0 3 1 0 | SHAFT, COLOR CHANGE TURNING | ニードルターニングシャフト | 1 | |
| 17 | H M 3 3 0 0 5 0 | SPRING, COLOR CHANGE | 色換ロック不良防止バネ | 1 | |
| 18 | H B 3 3 0 1 2 0 C | COLLAR, COLOR CHANGE TURRET PLATE LOCATING | 回転板位置決めカラー | 1 | |
| 19 | H T 3 3 0 0 0 1 | PLATE, COLOR CHANGE TURRET | コントロールターニングプレート | 1 | |
| 20 | K C 3 3 0 3 1 0 1 8 5 | ROD, TURRET PLATE CONNECTING L135 | 回転板連結ロッド(L=135) | 1 | |
| 21 | A 9 0 1 2 0 0 1 | JOINT, UNI-BALL RD-4020R | NMB RD4 020R | 1 | |
| 22 | H P 3 3 1 6 6 0 | BOLT, COLOR CHANGE TURRET PLATE JOINT | 回転板ジョイントピン | 1 | |
| 23 | H B 3 3 0 0 4 0 | LEVER, COLOR CHANGE TURRET PLATE TURNING | 旋回回転板レバー | 1 | |
| 24 | H B 3 3 0 3 8 0 | COVER, COLOR CHANGE MOTOR BRACKET | 色換エカパー | 1 | |
| 25 | H B 3 3 0 3 7 0 | BRACKET, COLOR CHANGE MOTOR | モーターベース | 1 | |
| 26 | A 9 0 6 5 1 0 3 | GEAR BOX, MOTOR 3GN180K | ギヤヘッド(3GN180K) | 1 | |
| 27 | A 9 0 6 5 1 1 3 | MOTOR, REVERSIBLE 3RK15GN-AWJG | レバーシブルモーター(3RK15GN-AWJG) | 1 | |
| 51 | | SCREW, CROSS RECESSED HEAD TRUSS M3x10 | 十字穴付トラス小ネジ M3x10 | | |
| 52 | | SCREW, HEX. SOCKET SET M5x10 | 六角穴付止メネジ M5x10 | | |
| 53 | | SCREW, CROSS RECESSED HEAD TRUSS M3x20 | 十字穴付トラス小ネジ M3x20 | | |
| 54 | | SCREW, HEX. SOCKET SET M4x5 | 六角穴付止メネジ M4x5 | | |
| 55 | | BOLT (w/plain washer), HEX. SOCKET HEAD CAP M3x12 | 六角穴付ボルト M3x12(平座金付) | | |
| 56 | | SCREW (w/adhesion), HEX. SOCKET SET M5x8 | 六角穴付止メネジ M5x8(接着剤付) | | |
| 57 | | BOLT (w/plain & spring washers), HEX. SOCKET HEAD CAP M5x25 | 六角穴付ボルト M5x25(平座金 バネ座金付) | | |
| 58 | | BOLT (w/spring washer), HEX. SOCKET HEAD CAP M3x10 | 六角穴付ボルト M3x10(バネ座金付) | | |
| 59 | | SCREW (w/cup point), HEX. SOCKET SET M4x4 | 六角穴付止メネジ M4x4(くぼみ先) | | |
| 60 | | BOLT, HEX. SOCKET HEAD CAP M6x20 | 六角穴付ボルト M6x20 | | |
| 61 | | SCREW, CROSS RECESSED HEAD TRUSS M4x6 | 十字穴付トラス小ネジ M4x6 | | |
| 62 | | BOLT (w/spring washer), HEX. SOCKET HEAD CAP M5x60 | 六角穴付ボルト M5x60(バネ座金付) | | |
| 63 | | BOLT (w/spring washer), HEX. SOCKET HEAD CAP M5x90 | 六角穴付ボルト M5x90(バネ座金付) | | |
| 64 | | BOLT (w/plain & spring washers), HEX. SOCKET HEAD CAP M5x18 | 六角穴付ボルト M5x18(平座金 バネ座金付) | | |
| 65 | | PIN, ROLL 3x12 | ロールピン 3x12 | 2 | |
| 66 | | SCREW (w/cup point), HEX. SOCKET SET M5x8 | 六角穴付止メネジ M5x8(くぼみ先) | | |
| 67 | | NUT, HEX. M4 | 六角ナット M4 | | |
| 68 | | NUT, HEX. M5 | 六角ナット M5 | | |
| 69 | | BOLT, HEX. SOCKET HEAD CAP M5x15 | 六角穴付ボルト M5x15 | | |

0 6 Thread guide
糸道

(H=Head Q'TY)

(H = 頭数)

| ITEM | LIST No. | DESCRIPTION | 部品名 | Q'TY | NOTE |
|------|-----------|---|----------------------------|-------|------|
| 1 | RR240280 | FELT, THREAD TENSION BASE YN | フェルト(DSH-YN) | H × 1 | |
| 2 | RR240300C | TENSION ASSY, THREAD DS | 糸調子ASSY(DS) | H × 9 | |
| 3 | HT240290 | WHEEL, LOWER THREAD DETECTION | テンションホイール組立 | H × 9 | |
| 4 | RR240510 | PLATE, THREAD TENSION SPRING ADJUSTING | 糸掛けバネ調整板 | H × 9 | |
| 5 | RD240154 | TENSION ASSY, DIAL THREAD DS | ダイヤル糸調子組(DS) | H × 9 | |
| 6 | RR240390 | LABEL, HEAD NUMBER | 番号ラベル | H × 1 | |
| 7 | RR240310 | PLATE (UPPER), THREAD GUIDE DSH-YN | 糸案内プレート・上(DSH-YN) | H × 1 | |
| 8 | RR240320 | PLATE (LOWER), THREAD GUIDE DSH-YN | 糸案内プレート・下(DSH-YN) | H × 1 | |
| 9 | PC240060 | CASE ASSY, THREAD TENSION BASE VS-Y9 | テンション台ケース Assy(VS-Y9) | H × 1 | |
| 10 | KN540510 | NUT, LOWER THREAD DETECTION WHEEL | テンションホイールナット | H × 9 | |
| 11 | HT240101 | DISK, LOWER THREAD DETECTION SENSOR YN | 下糸検知センサーディスク(YN) | H × 9 | |
| 12 | RR240330 | BRACKET, SWITCH CARD (PCB) FIXING DS | スイッチ基板取付ベース(DS) | H × 2 | |
| 13 | HT240180 | NUT, SM | SMナット | H × 9 | |
| 14 | EBY02580 | CARD (PCB), THREAD BREAK 8590 | 8590・9本針糸検付スイッチ基板 | H × 1 | |
| 15 | PC240070 | COVER, THREAD TENSION BASE VS-Y9 | テンション台カバー(VS-Y9) | H × 1 | |
| 16 | RR240340 | PLATE, THREAD TENSION BASE EARTH DSH-YN | テンションアースプレート(DSH-YN) | H × 1 | |
| 17 | EBY02870 | CABLE, FLAT H2802A | H2802A 16芯フラットケーブル(変換無し) | H × 1 | |
| 18 | RR240350 | BRACKET, THREAD TENSION BASE DSH-YN | テンション台ベース(DSH-YN) | H × 1 | |
| 19 | PC240011 | COVER A, SEWING HEAD DS | 面カバー A(VS) | H × 1 | |
| 20 | PC240020 | COVER B, SEWING HEAD DS | 面カバー B(VS) | H × 1 | |
| 21 | PC240030 | COVER C, SEWING HEAD DS | 面カバー C(VS) | H × 1 | |
| 22 | ST240010 | BRACKET, THREAD TENSION BASE DXH-YN-B CH | テンションベースブラケット(DXH-YN-B) CH | H × 1 | |
| 23 | HT240430C | BRACKET A, SEWING HEAD COVER | 面カバー取付ブラケット(A) | H × 1 | |
| 24 | HB240241C | BRACKET B, SEWING HEAD COVER | 面カバー取付ブラケット(B) | H × 1 | |
| 25 | HT240440C | BRACKET C, SEWING HEAD COVER | 面カバー取付ブラケット(C) | H × 1 | |
| 26 | PR240000 | BASE ASSY, THREAD TENSION VS-Y9 BNKD | テンション台ASSY(VS-Y9) BNKD | H × 1 | |
| 27 | PC240040 | LID, OIL LUBRICATION VS | 給油扉(VS) | H × 1 | |
| 28 | FA999052 | NUT (w/plain & spring washers), HEX. SM11/64 | 六角ナット SM11/64(平座金 バネ座金付) | H × 9 | |
| 51 | | SCREW, CROSS RECESSED HEAD TRUSS M3x5 | 十字穴付トラス小ネジ M3 × 5 | | |
| 52 | | SCREW, CROSS RECESSED HEAD FLAT M4x8 | 十字穴付皿小ネジ M4 × 8 | | |
| 53 | | BOLT, HEX. SOCKET HEAD FLANGE M4x10 | 六角穴付フランジボルト M4 × 10 | | |
| 54 | | BOLT, HEX. SOCKET HEAD CAP M2x3 | 六角穴付ボルト M2 × 3 | | |
| 55 | | SCREW, CROSS RECESSED HEAD PAN TAPPING M3x8 | 十字穴付ナベ頭タップ Bタイト M3 × 8 | | |
| 56 | | SCREW, CROSS RECESSED HEAD PAN M3x4 | 十字穴付ナベ小ネジ M3 × 4 | | |
| 57 | | SCREW, CROSS RECESSED HEAD PAN M4x6 | 十字穴付ナベ小ネジ M4 × 6 | | |
| 58 | | BOLT (w/built-in washer), HEX. SOCKET HEAD CAP M5x10 | 座金組込ミ六角穴付ボルト M5 × 10 | | |
| 59 | | SCREW, CROSS RECESSED HEAD TRUSS M4x10 | 十字穴付トラス小ネジ M4 × 10 | | |
| 60 | | BOLT (w/plain washer), HEX. SOCKET HEAD CAP M4x6 | 六角穴付ボルト M4 × 6(平座金付) | | |
| 61 | | BOLT, HEX. SOCKET HEAD FLANGE M6x20 | 六角穴付フランジボルト M6 × 20 | | |

I N D E X

| LIST No. | SECTION | ITEM | LIST No. | SECTION | ITEM |
|-------------|---------|------|----------|---------|------|
| RR240300C | 06 | 2 | SH480581 | 10D | 1 |
| RR240310 | 06 | 7 | SH480800 | 10B | 13 |
| RR240320 | 06 | 8 | SH480810 | 10B | 14 |
| RR240330 | 06 | 12 | SH480810 | 10E | 19 |
| RR240340 | 06 | 16 | SH480810 | 10F | 17 |
| RR240350 | 06 | 18 | SH480820 | 10B | 7 |
| RR240390 | 06 | 6 | SK480200 | 10D | 3 |
| RR240410 | 11B | 4 | SK480251 | 10E | 2 |
| RR240510 | 06 | 4 | SK480251 | 10F | 2 |
| RR250270 | 08A | 21 | SK710000 | 12 | 6 |
| RR270010 | 02B | 20 | SN310030 | 08B | 12 |
| RR270090 | 02D | 14 | SN310062 | 08B | 1 |
| RR310000 | 08A | 13 | SN310070 | 08B | 5 |
| RR310010 | 08A | 5 | SN310120 | 08A | 19 |
| RR310020 | 08A | 4 | SN310130 | 08B | 3 |
| RR310090 | 08A | 15 | SN310160 | 08A | 16 |
| RR330010 | 07B | 8 | SR480000 | 10D | 6 |
| RR450000 | 10D | 11 | SR480000 | 10G | 3 |
| RR450000 | 10E | 21 | SS250020 | 08A | 6 |
| RR450010 | 10D | 13 | SS310010 | 08A | 24 |
| RR450010 | 10E | 23 | SS310040 | 08A | 8 |
| RR460000C | 10C | 5 | SS310051 | 08A | 14 |
| RR460010 | 10C | 4 | SS510110 | 11B | 9 |
| RR480061C | 10C | 13 | ST240010 | 06 | 22 |
| RR480080 | 10E | 4 | ST270010 | 02B | 16 |
| RR480080 | 10F | 4 | ST480040 | 10B | 18 |
| RR480090 | 10B | 4 | ST480040 | 10E | 25 |
| RR48023A60G | 10C | 6 | ST480040 | 10F | 19 |
| RR48024A60 | 10C | 7 | ST480050 | 10B | 17 |
| RR480260 | 10C | 3 | SY480040 | 10F | 9 |
| RR480270 | 10C | 2 | WW480020 | 10C | 10 |
| RR48029A60G | 10B | 15 | WW480030 | 10C | 12 |
| RR510191 | 11B | 8 | | | |
| RR730010 | 10A | 9 | | | |
| RR730020 | 10A | 11 | | | |
| RR730031C | 10A | 13 | | | |
| RR730050 | 10A | 10 | | | |
| RR730061 | 10A | 7 | | | |
| RR730150 | 10A | 17 | | | |
| RR730220 | 10A | 5 | | | |
| RR73035A60 | 10A | 16 | | | |
| SC210000 | 01A | 6 | | | |
| SC210010 | 01A | 7 | | | |
| SH480001 | 10B | 6 | | | |
| SH480331 | 10A | 19 | | | |