

Barudan

HIGH SPEED AUTOMATIC EMBROIDERY MACHINE

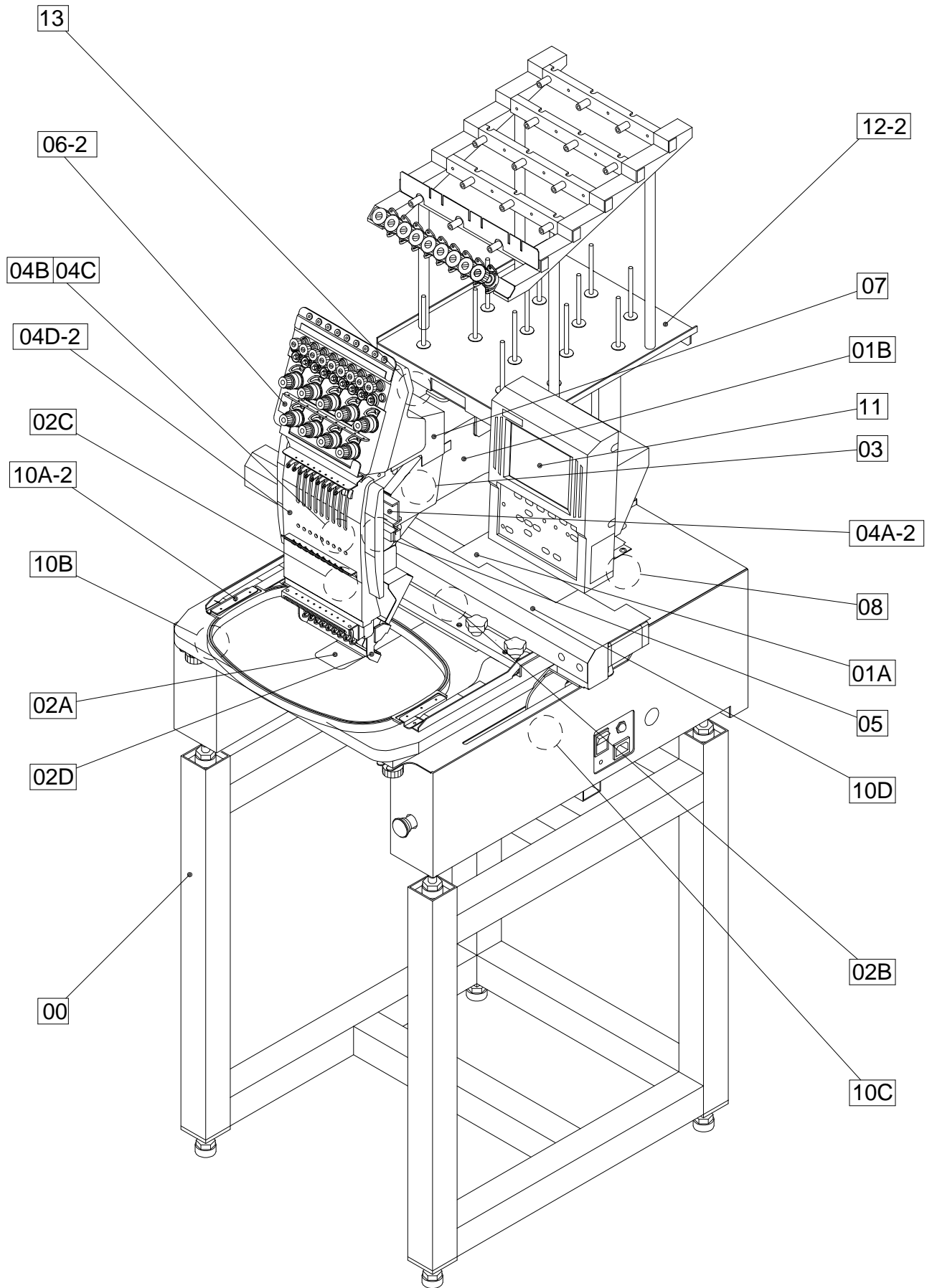
ELITE Jr.

BEDT-ZN-101 (250 x 400)

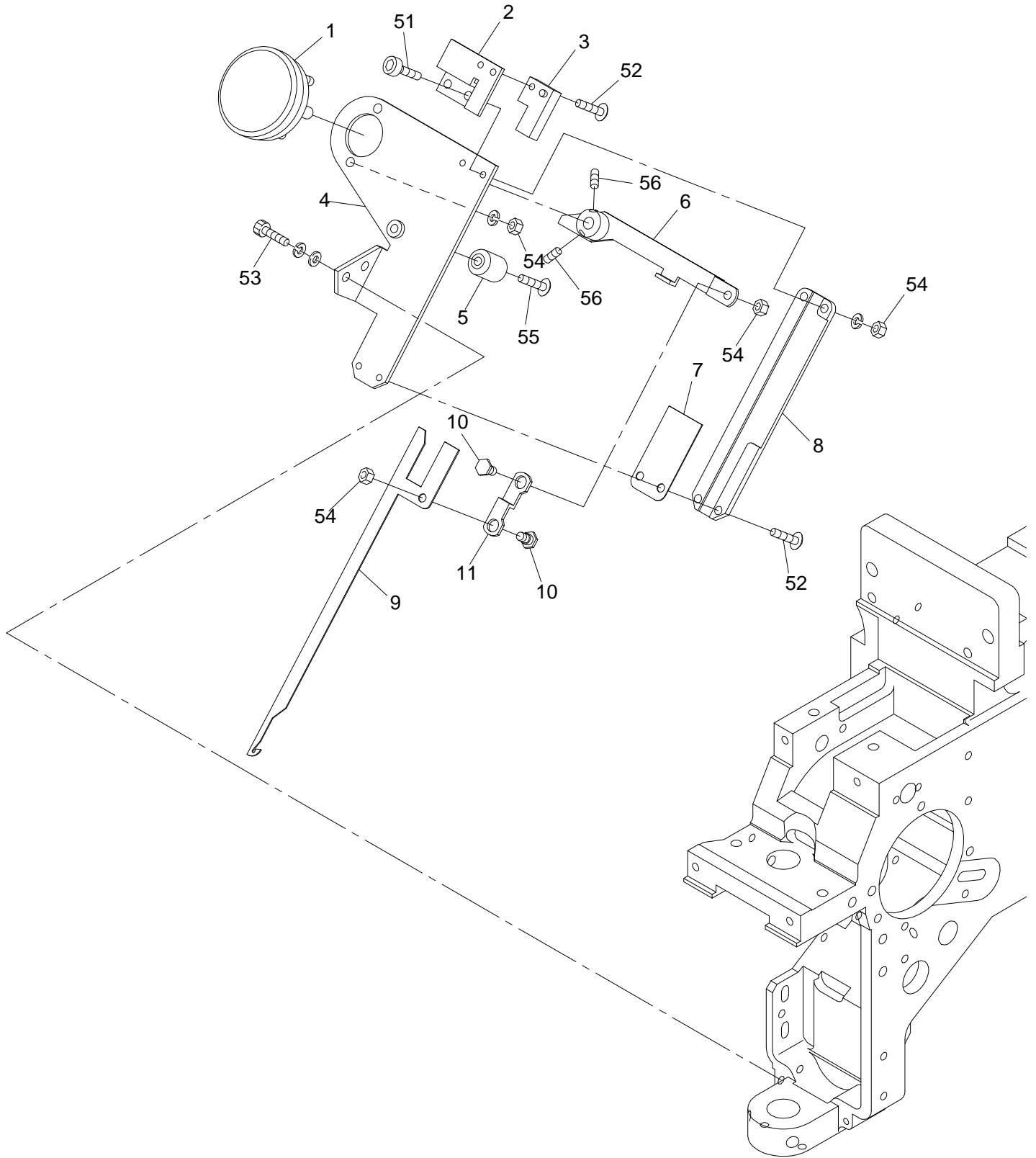
**PARTS LIST
ADDENDUM**

Machine layout

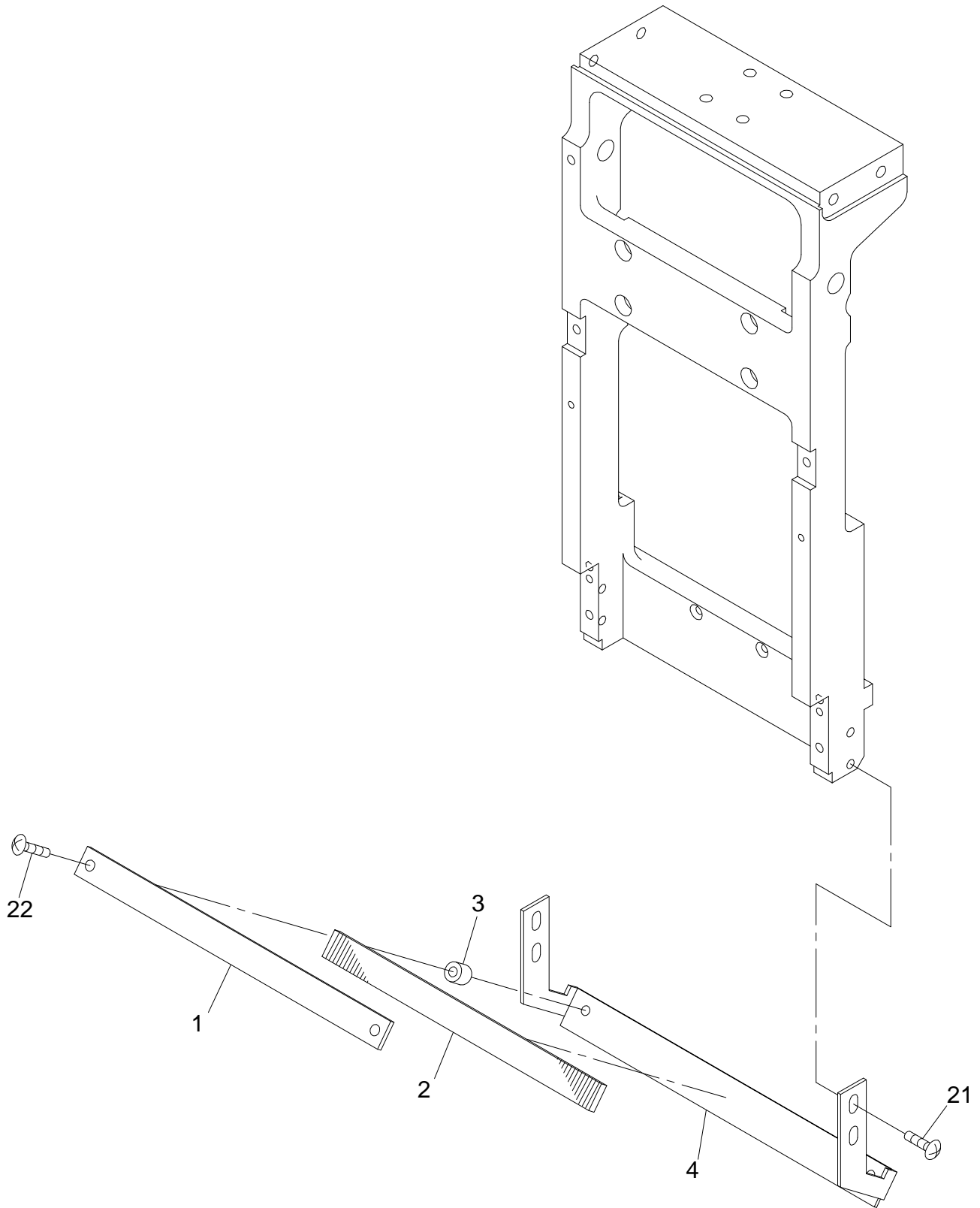
BEDT-ZN-101(250x400)



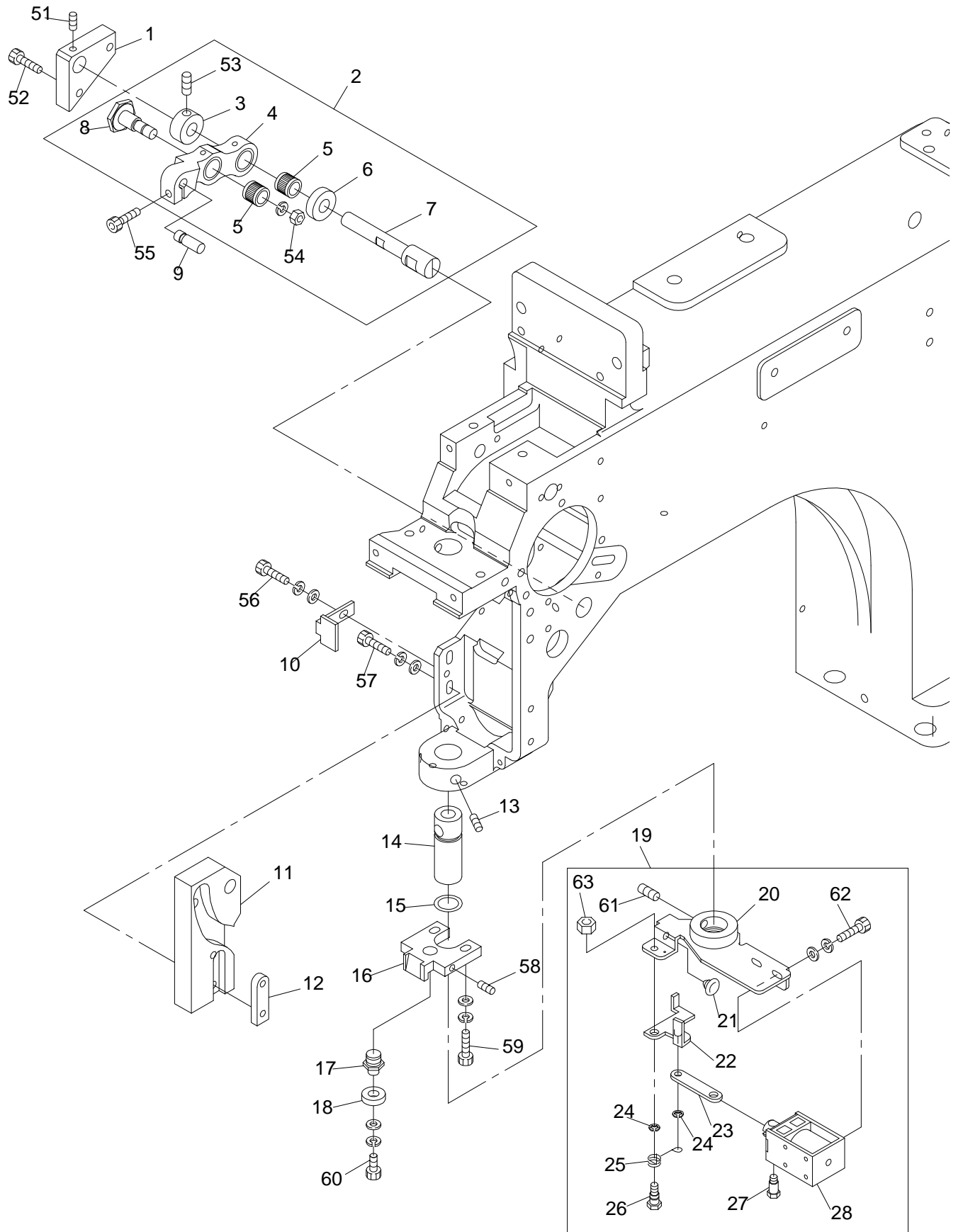
02C Thread cut C



02D Thread cut D



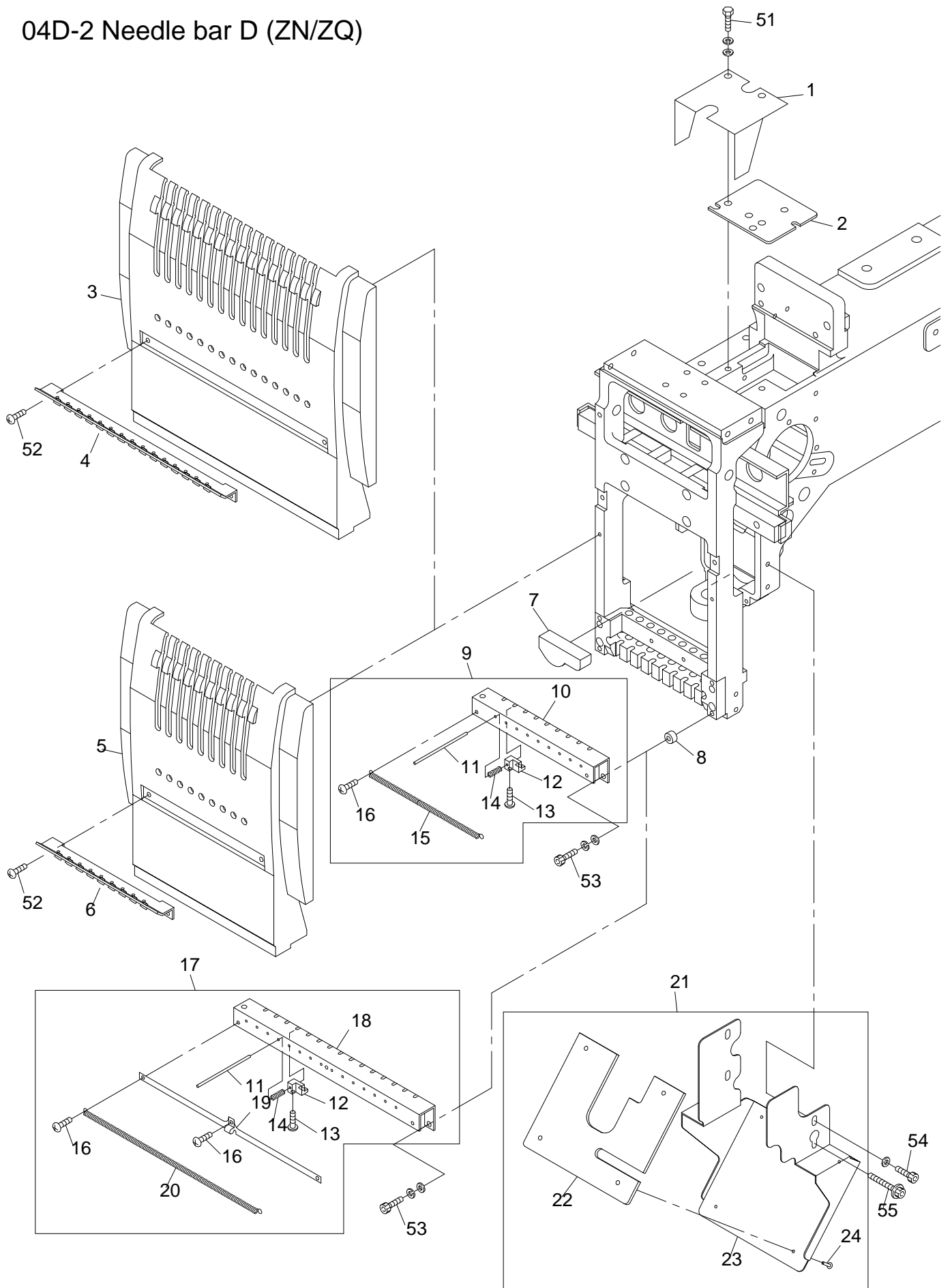
04C Needle bar C



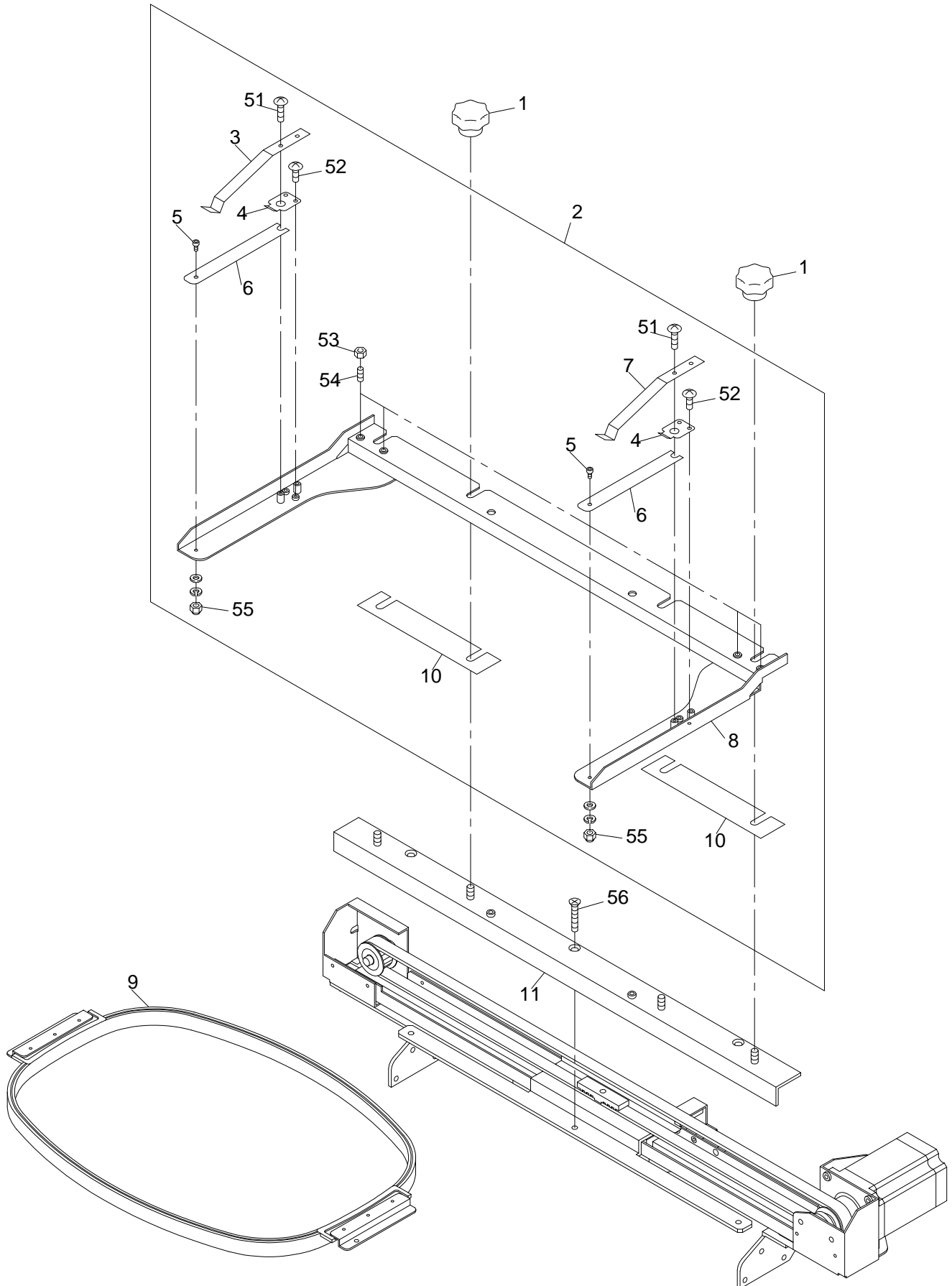
04C Needle bar C

ITEM	LIST NO.	DESCRIPTION	Q'TY	NOTE
1	MH230150	Lever pin block(515 white)		
2	RR230090	Needle bar driving lever set(P25.65)		
3	HB230271	Needle bar driving lever fixing pin set collar		
4	RR230080	Needle bar driving lever(P25.65)		
5	HB230361	Needle roller with retainer(KV8×11×10SV2)		
6	HB230281	Needle bar driving lever fixing pin collar		
7	HT230410	Needle bar driving lever fixing pin		
8	HB230261	Needle bar driving lever connecting pin		
9	HB230220	Needle bar driving lever pin(B)		
10	SG230270	Cam guide plate		
11	SG230210	Cloth hold cam(K3)		
12	MK230080	Cam tap plate		
13	A9012053	Hex.socket set screw (With steel ball) M6x0.7x8		
14	LA230080	Slide shaft bush (Lower)		
15	A9019037	O-ring (Bush under S12.5 NOK)		
16	LA230140	Bearing guide		
17	SG230300	Bearing pin		
18	A9010065	Ball bearing 686zz		
19	MM270000	Thread support a'ssy(24V) DTHE-ZQ		
20	SG270050	Thread support base		
21	A9014166	Plug cushion rubber TM-96-6		
22	SG270060	Thread support lever		
23	SG270070	Thread support link		
24	A9012127	E-ring(f 3)		
25	SG270120	Thread support return spring		
26	SG270110	Thread support lever pin screw		
27	KC270101	Solenoid pin		
28	A9056042	Keep solenoid(24V) TDS-K10SL-368		
51		Hex.socket set screw M4x4(With nylon)		
52		Hex.socket bolt M4x12(With washers)		
53		Hex.socket set screw M5x5		
54		Hex.nut M6(With spring washer)		
55		Hex.socket bolt M4x14(With adhesive)		
56		Hex.socket bolt M4x8		
57		Hex.socket bolt M4x15		
58		Hex.socket set screw (Dog point)M4x12		
59		Hex.socket bolt M4x12(With washers)		
60		Hex.socket bolt M4x6(With washers)		
61		Hex.socket set screw M5x8		
62		Hex.socket bolt M3x6(With washers)		
63		Hex.nut M4		

04D-2 Needle bar D (ZN/ZQ)



10A-2 Pantograph drive A



BEDT-ZN-101(250x400)

040427

10D Pantograph drive D

